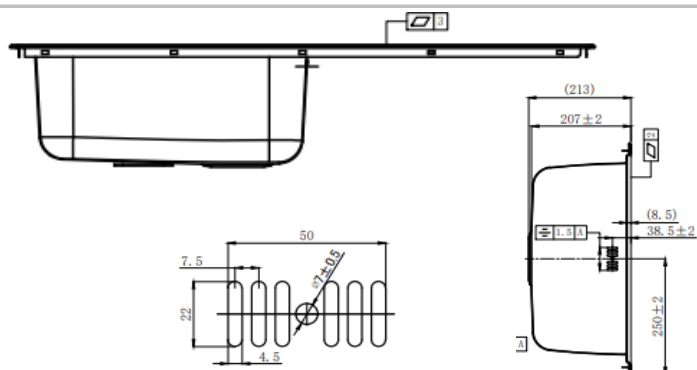
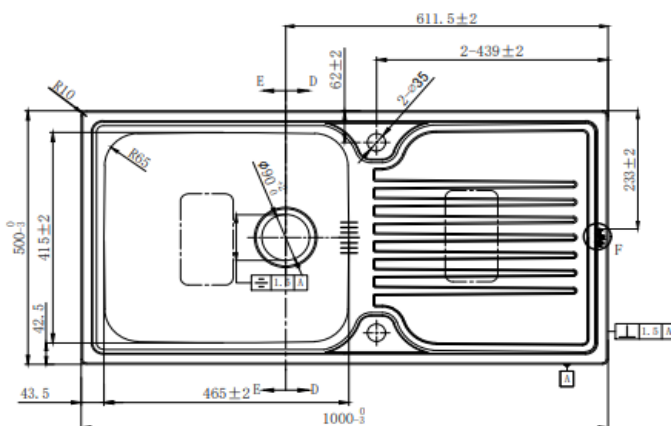
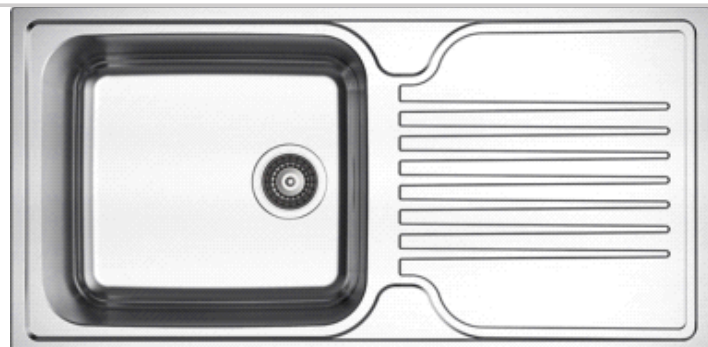


Technical Specification Sheet

SENATOR 10 Single Bowl with Drainer 1156S



Specification

Material	Stainless Steel
Finish	Polished
Colour	Stainless Steel
Gauge	0.8
Welded/Pressed	Welded
No. of bowls	1
Fitting Method	Inset
Handing Options	Reversible
Cabinet Size (mm)	600
Overall Length (mm)	1000
Overall Width (mm)	500
Overall Depth (mm)	213
Main Bowl Length (mm)	465
Main Bowl Width (mm)	415
Main Bowl Depth (mm)	207
Second Bowl Length (mm)	N/A
Second Bowl Width (mm)	N/A
Second Bowl Depth (mm)	N/A
Tap Hole Size (mm)	35
Waste Kit Included (Yes/No)	Yes
Clips & Seals Included (Yes/No)	Yes
Waste Size (mm)	90
Waste Kit Code	M 3080
Clips & Seals Code	N/A
Overflow Location	Main Bowl, Drainer Side
Cut Out Length (mm)	976
Cut Out Width (mm)	476
Product Weight (kg)	3.7
Packed Weight (kg)	4.7
EAN number	8712465037980

Warranty

Lifetime on manufacturing | 1 years serviceable parts warranty (waste kit, clips & seals)

Care & Maintenance

Clean with warm soapy water only | You can use the Reginox INOX care cream to help maintain the steel finish | Avoid using anything abrasive on sink surface as will void the warranty