

Technical Specification Sheet

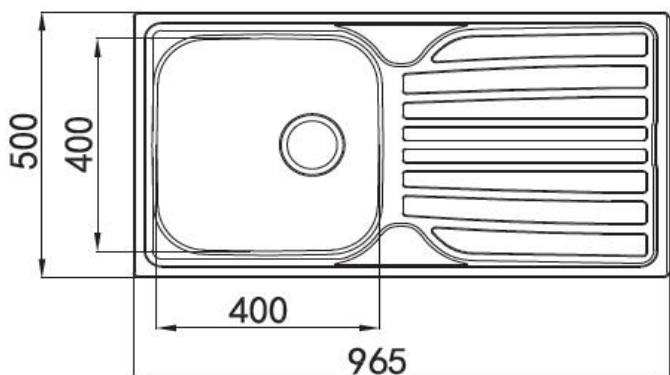
MONACO II

(1162S)

1.0 Inset Steel Sink



Specification



Material	Stainless Steel
Finish	Polished
Colour	Chrome
Gauge	0.7
Welded/Pressed	Pressed
No. of bowls	1
Fitting Method	Inset
Handing Options	Reversible
Cabinet Size (mm)	600
Overall Length (mm)	965
Overall Width (mm)	500
Main Bowl Length (mm)	400
Main Bowl Width (mm)	400
Main Bowl Depth (mm)	
Second Bowl Length (mm)	N/A
Second Bowl Width (mm)	N/A
Second Bowl Depth (mm)	N/A
Tap Hole Size (mm)	35mm
Waste Kit Included (Yes/No)	Yes
Clips & Seals Included (Yes/No)	Yes
Waste Size (mm)	90mm
Waste Kit Code	
Clips & Seals Code	
Overflow Location	Main Bowl
Cut Out Length (mm)	945
Cut Out Width (mm)	480
Product Weight (kg)	
Packed Weight (kg)	
Packed Dimensions (mm)	sleeved
EAN number	658556023280

Warranty

10 years on manufacturing | 1 years serviceable parts warranty (waste kit, clips & seals)

Care & Maintenance

Clean with warm soapy water only | You can use the Reginox INOX care cream to help maintain the steel finish | Avoid using anything abrasive on sink surface as will void the warranty