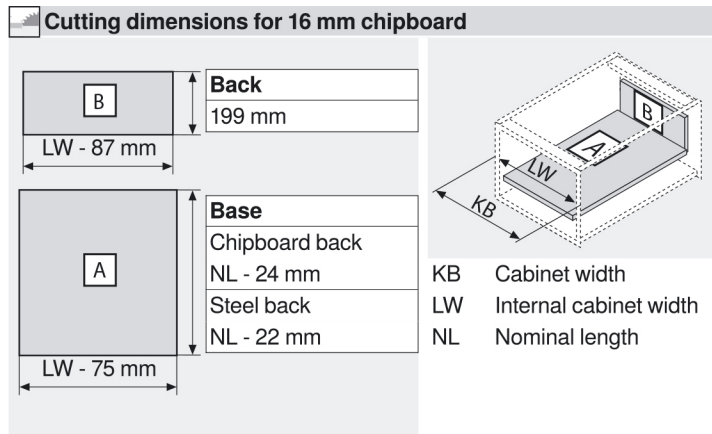


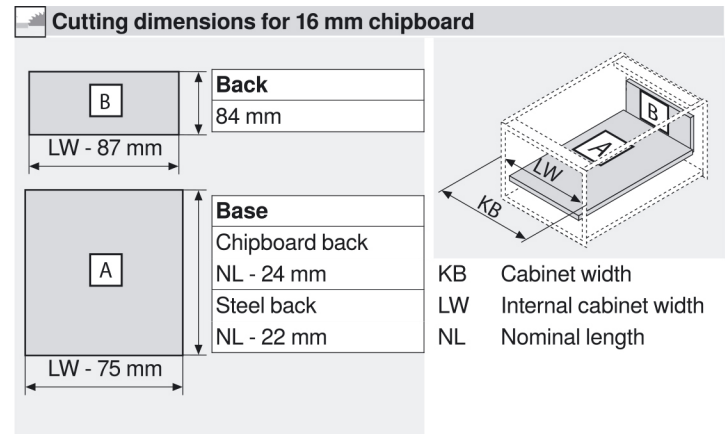
# TANDEMBOX – pull-out system

## ► Basic elements

### D-Height (Pan)



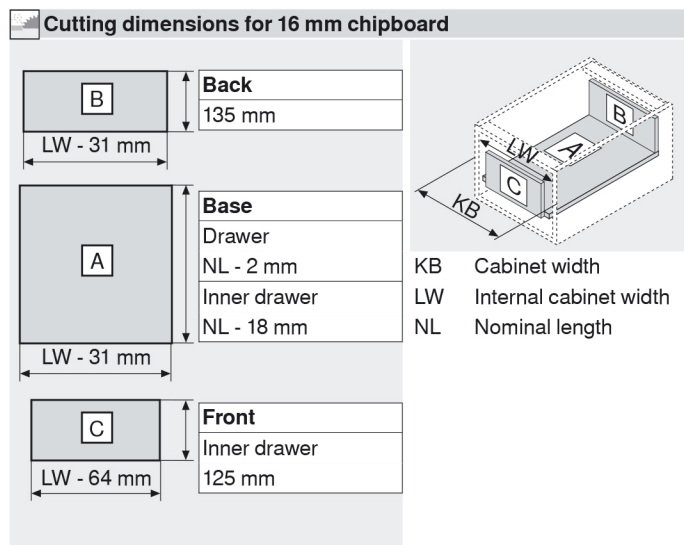
### M-Height (Standard)



# METABOX – pull-out system

## ► Basic elements

### H-Height (Pan)



### M-Height (Standard)

