

Finsa
Process

Excel- Cab

Flat Pack Kitchen Cabinet



Finsa

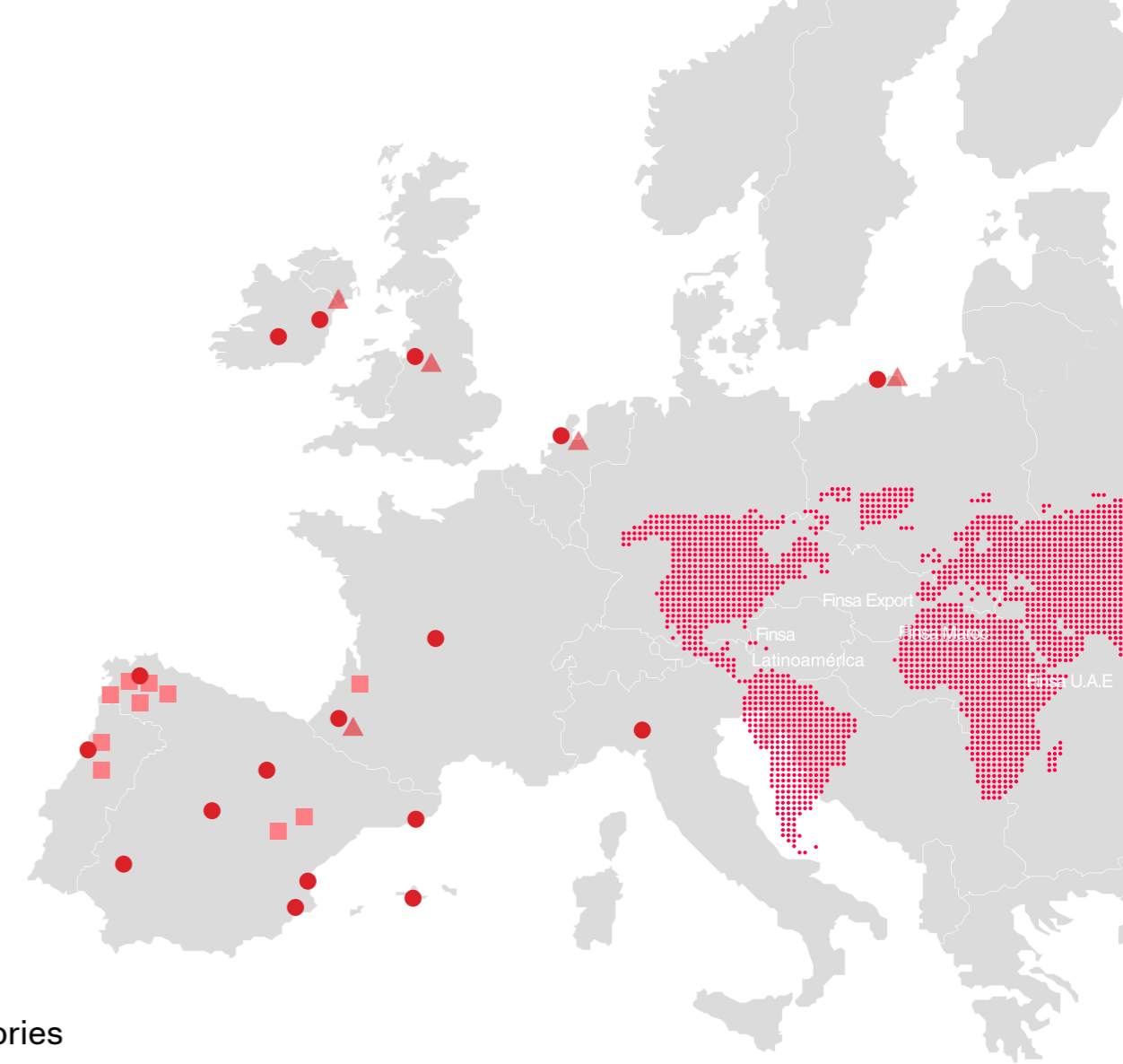
- 1 We are Finsa
- 2 Sustainability
- 3 Specification
- 4 Range Overview
- 5 Kitchen Planning
- 6 Fitting Hardware

Finsa

At Finsa we have been dedicated to the industrial transformation of wood for almost a hundred years, designing and manufacturing technical and decorative solutions for the spaces around us.

From our beginnings we were aware of the responsibility we acquired by having wood as a base element. We learned from it and incorporated some of its virtues into our organization, such as versatility, solidity or durability.

In connection with the environment, we continue working to respond to the needs of the habitat and construction sector. We manufacture and transform products derived from wood: board, decorative surfaces, components for furniture and laminate flooring. In our processes, based on the development of innovation, design and circularity, wood does not lose qualities but rather improves its efficiency.



- Factories
- Sales Offices
- ▲ Distribution Hubs



Key numbers

3334

Employees in 2021

1119

Sales in millions of euros

64

Investments in millions of euros in 2021

+80

Sales in more than eighty countries

Live Sustainably

Eco-certified

We strongly believe that transparency and external certification is important for you as a consumer. This is the only way for you to ensure that there is substance behind it all.

We can only encourage you to look for facts and recognised certifications with any brand you consider engaging with.



The Excel-Cab range is FSC certified. FSC® certified forests are given time to naturally regenerate itself, and consideration of the local wildlife is taken into account, as well as the well-being of the forest workers.



Excel-Cab

Baseboard



Fimaplast STD

Manufactured on a Fimaplast surface. The melamine coating allows for easy cleaning, scratch resistance and an antibacterial surface.

Edging

PVC 1 mm front, PVC 0.4 mm other.

Back

Standard MFC Fimaplast 6 mm, white (both sides) for wall units and larder units.
Standard MFC Fimaplast 18 mm, white (both sides) for base units.

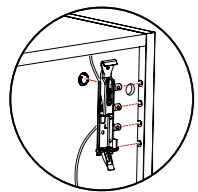
Assembly

Cam Dowel and Wooden Dowel.

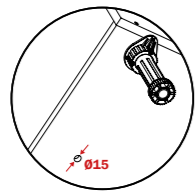
Packaging

Flatpack product in cardboard with honey comb reinforcements.

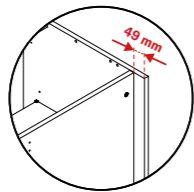
Technical specifications



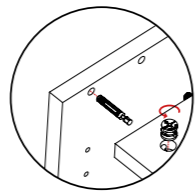
Mechanised and hidden hanger included



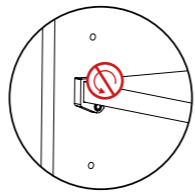
Legs included



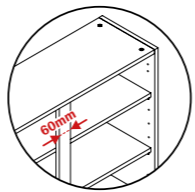
Service void to allow for plumbing, electrics and ventilation



Cam Dowel Assembly

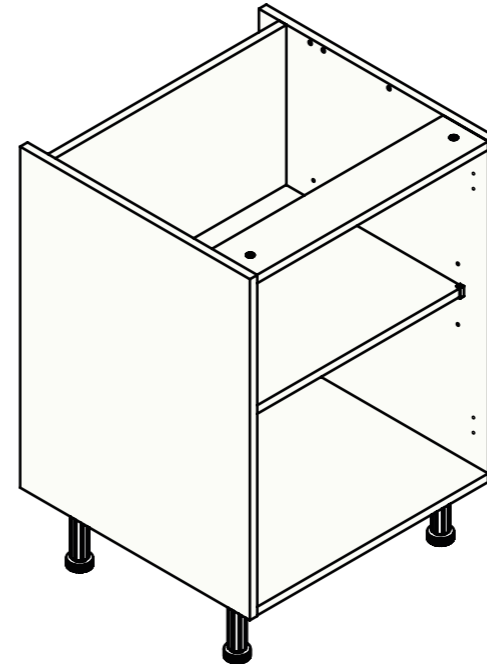


Shelf support

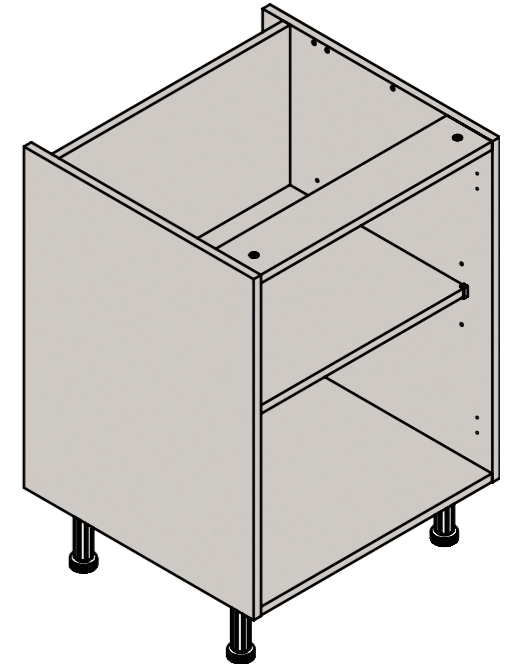


Centre Post on units 700 mm wide or above

Designs



020 Blanco Medio
SOFT III | DUO

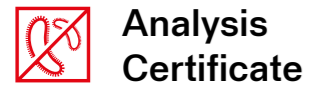


U12 Natural Grey
SOFT III | DUO



Antibacterial surface

The growing demand for products that prevent the development of harmful germs to health has led us to work in that field, looking for materials that can meet these requirements. The Excel-Cab range is made by melamine, an antibacterial tested surface.



Imsl
Industrial microbiological services (uk)
www.imsi-uk.com

Certificate n°. 1023308.1b

Method: calculation of the antibacterial activity by using iso 22196: 2011

Results (as cfu cm-2)

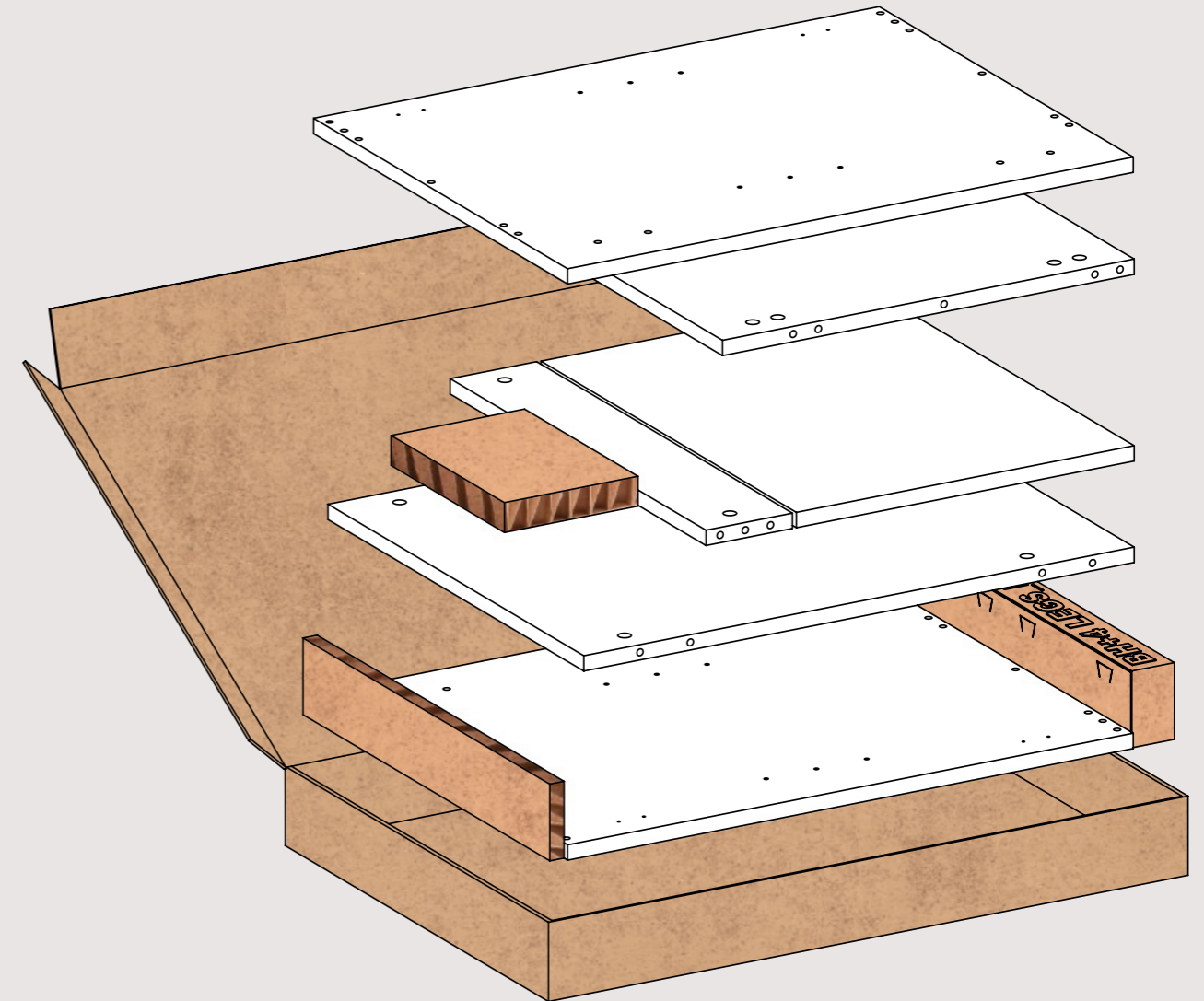
Sample	Contact	Time	Reduction	% Difference	
Gama Duo	E. Coli	1.7e+04	< 1.0	> 4.3	> 99.99%
Gama Duo	S aureus	2.0e+04	< 1.0	> 4.3	> 99.99%

The above data shows the difference between the initial and final bacterial populations after contact with the surface of the referenced samples for 24 hours at 35°C and a relative humidity of 95%.

Our melamine surface has been tested by an external laboratory, the IMSL (Industrial Microbiological Services) in the UK, following the procedures outlined by ISO

22196: 2011, confirming that our melamine includes features that inhibit the growth and development of bacteria without harming the characteristics of the coating.

Packaging



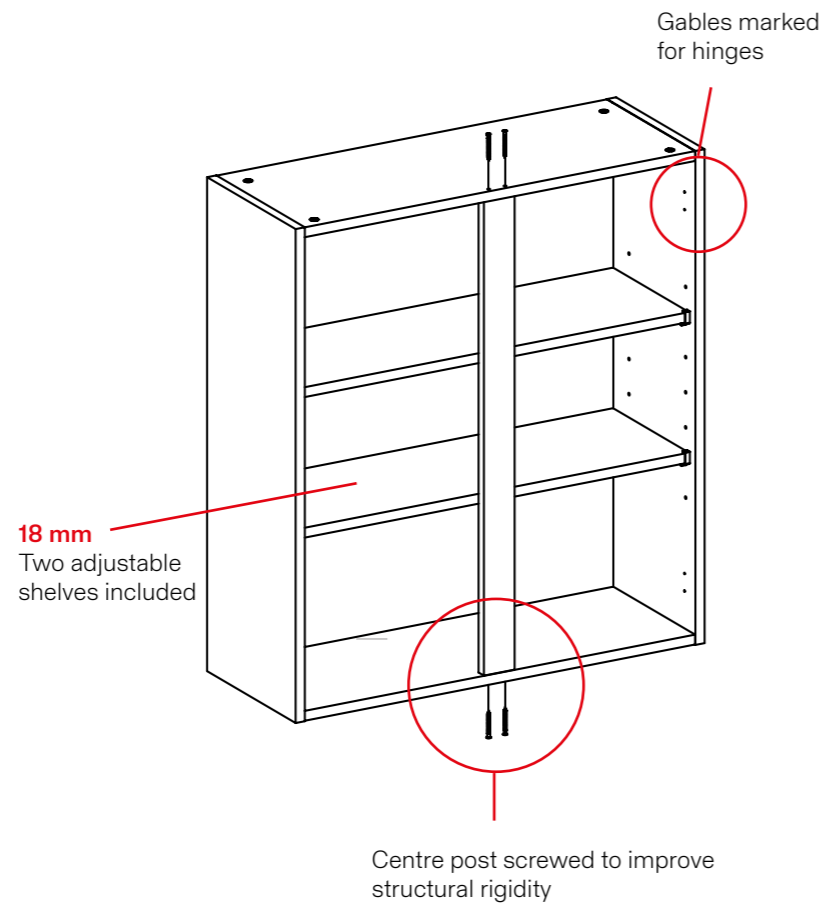
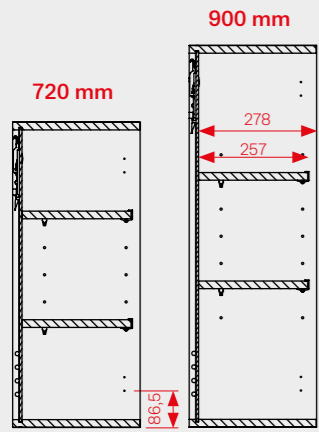
More Conscious Packaging

1. Better quality, externally (thicker) and internally (honeycomb reinforcements), which will minimize the number of damages.
2. Internally, a series of fillers are proposed that minimize the movement, blocking the different items inside the box, which makes it less prone to damage during transport.
3. Recyclable cardboard is used both externally and, in the fillings, avoiding the use of plastic.
4. Better flat pack appearance,
5. Stacking on the pallet is optimized, improving pallet handling safety.

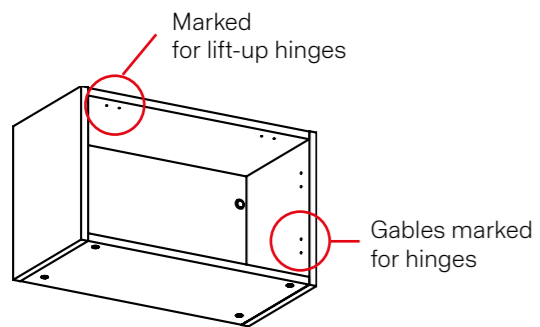
Wall Units

Single and double wall units

Wall units available in two heights, 720 and 900 mm

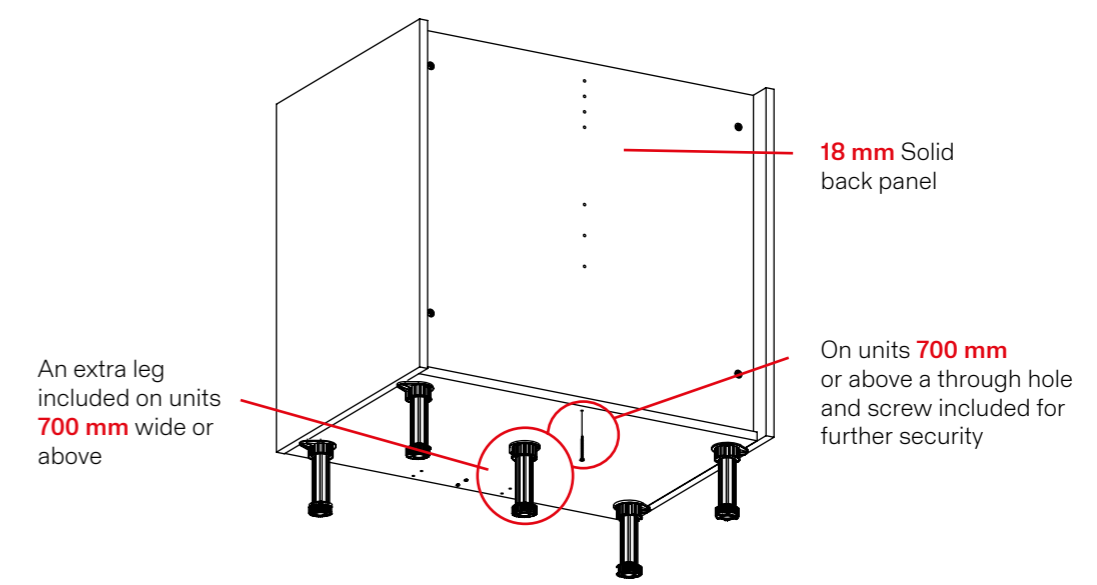
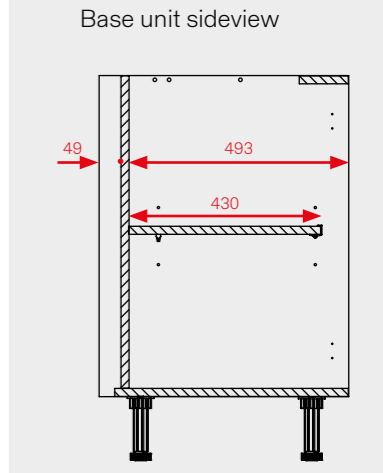
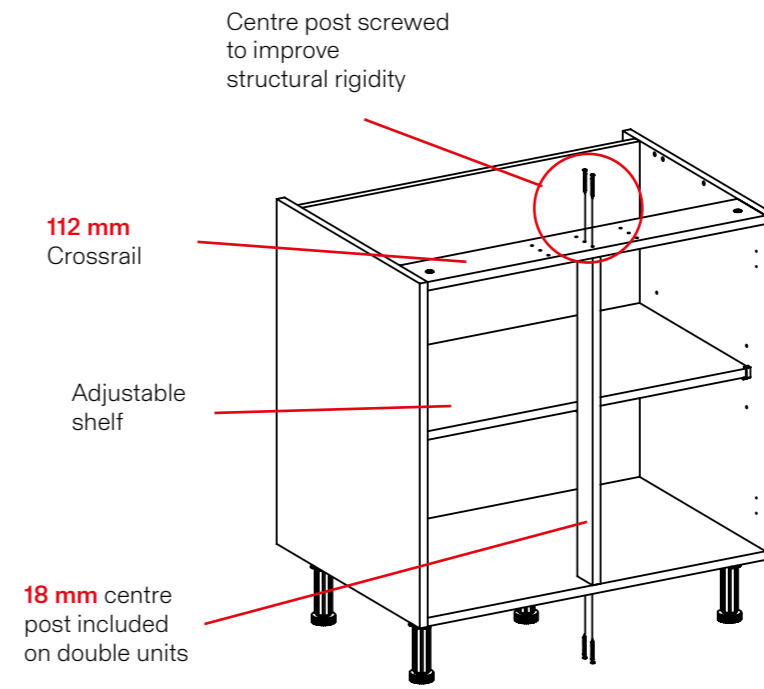


Bridge units



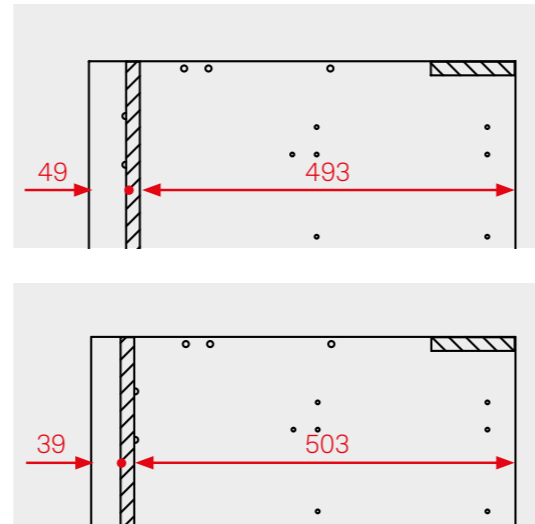
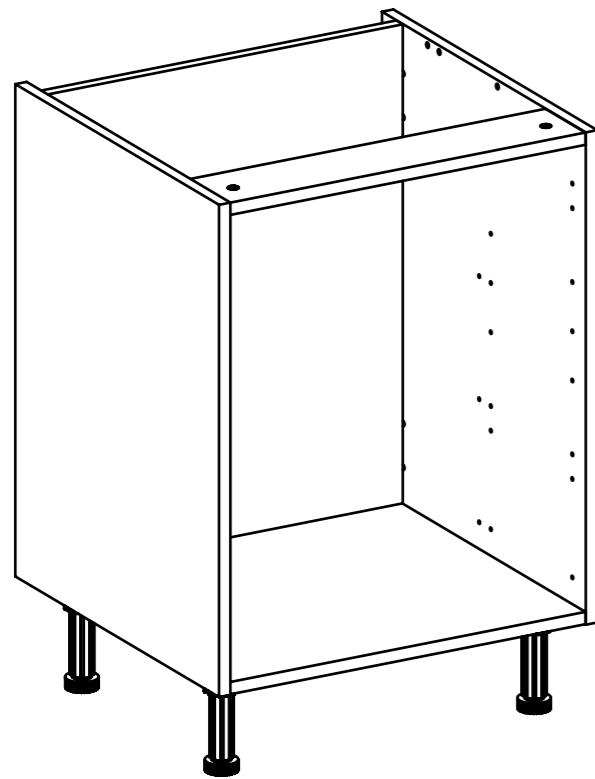
Base Units

Single and double base units



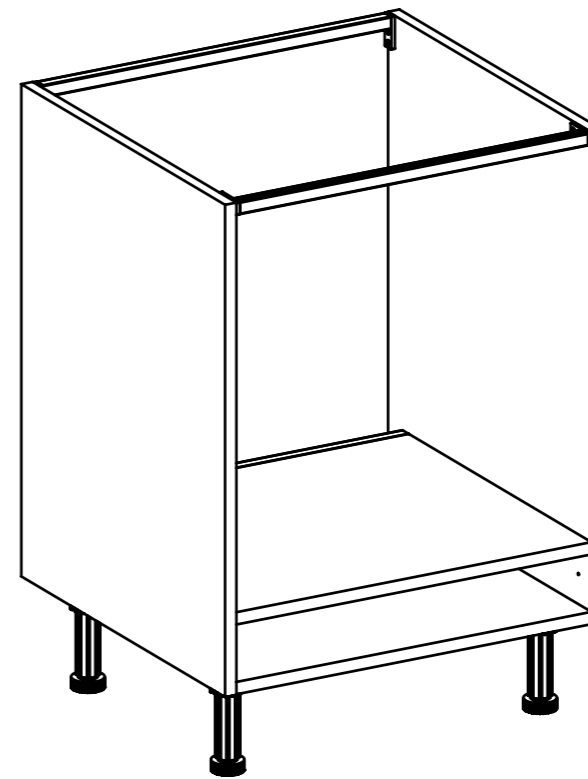
Base Units

Drawer units

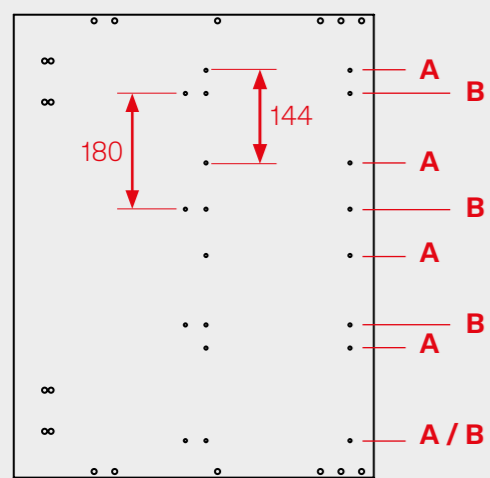


Adjustable service voids for **450-500 mm** deep drawers.

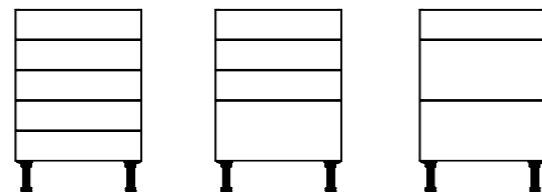
Oven base unit



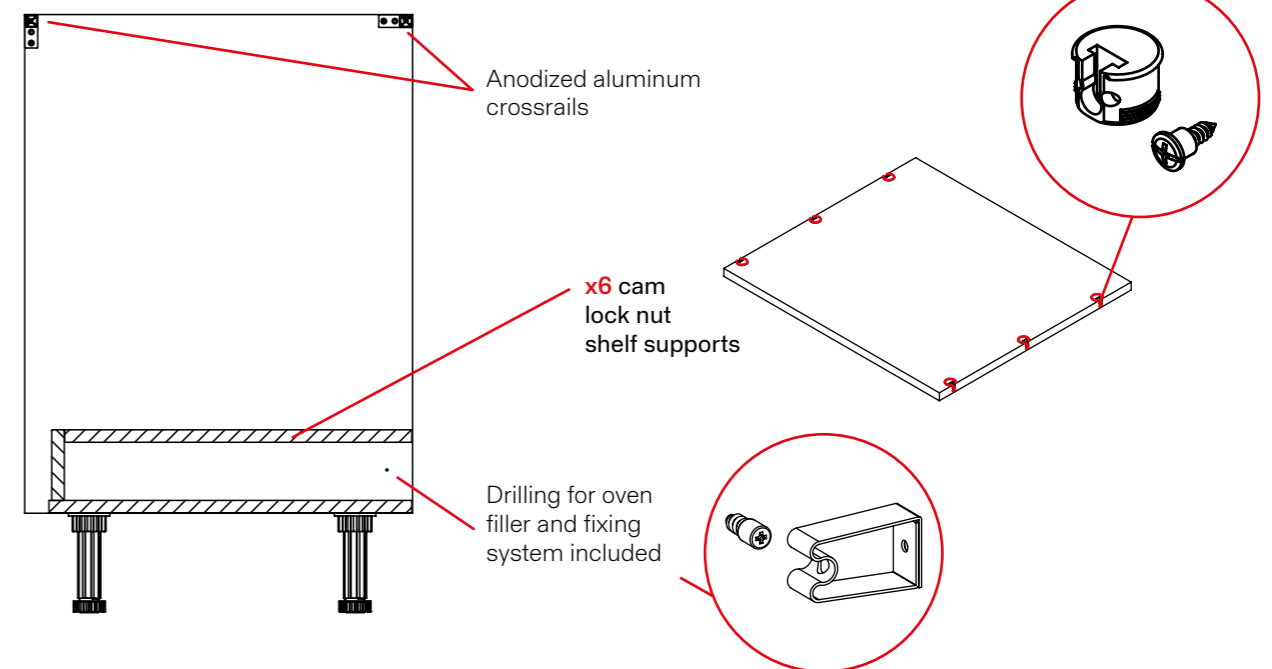
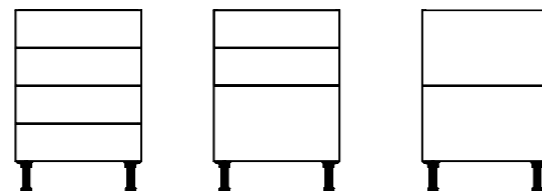
Drawer cabinet drilling adapted to suit most standard combinations



A 144x5



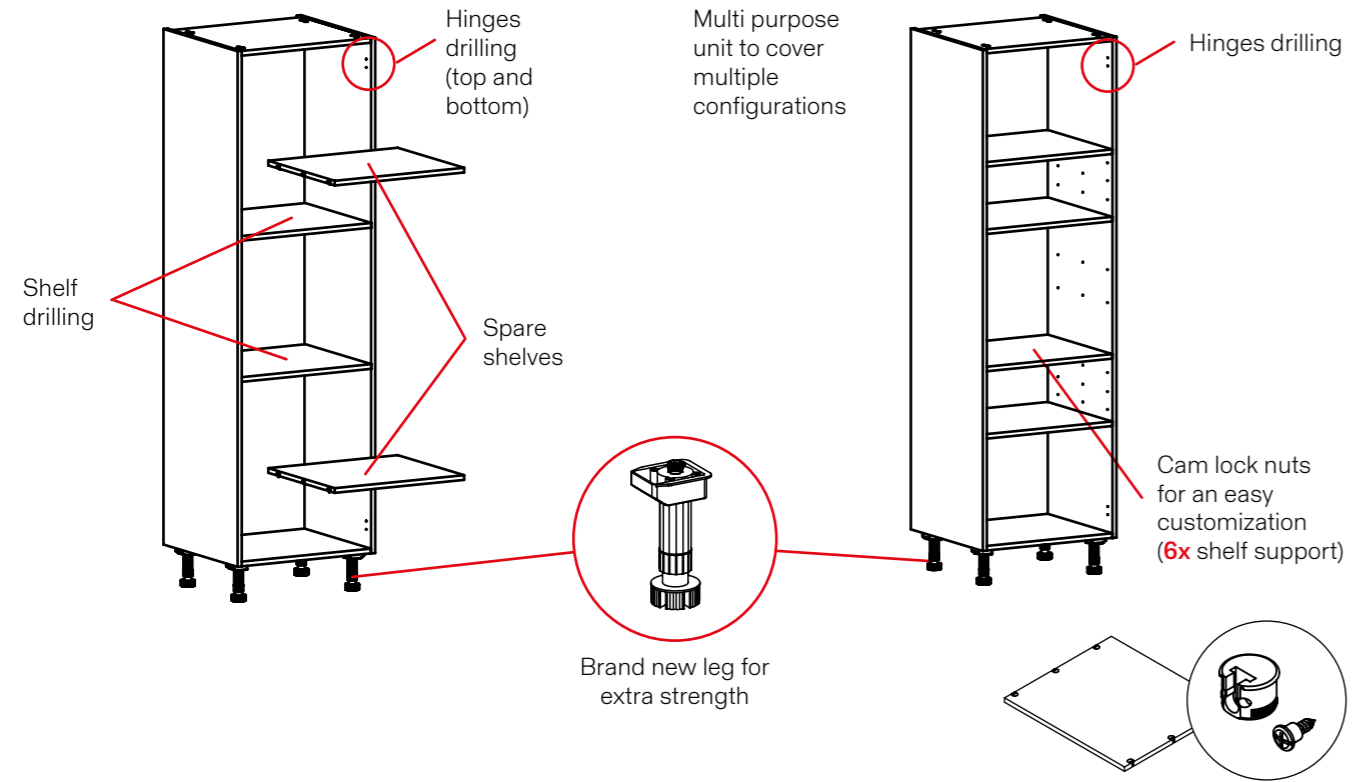
B 180x4



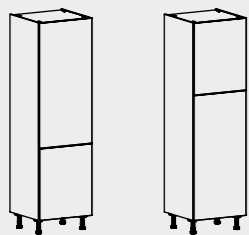
Larder Units

Larder units

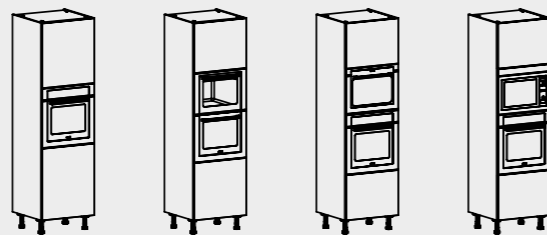
Larder and oven housing units



Larder units options

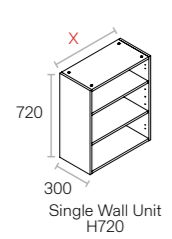


Oven housing options



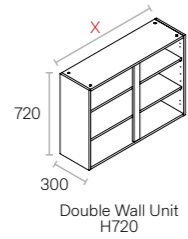
Excel-Cab Range

Wall Units



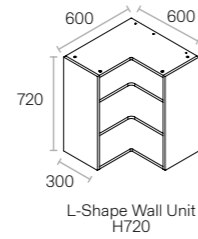
Single Wall Unit
H720

X 300 | 400 | 450
500 | 600

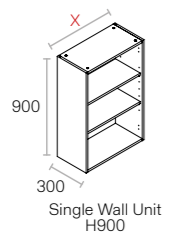


Double Wall Unit
H720

X 700 | 800 | 900
1000

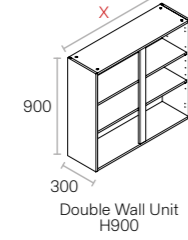


L-Shape Wall Unit
H720



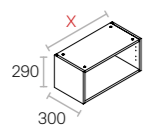
Single Wall Unit
H900

X 300 | 400 | 450
500 | 600



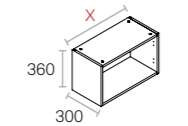
Double Wall Unit
H900

X 700 | 800 | 900
1000



Bridge Unit
H290

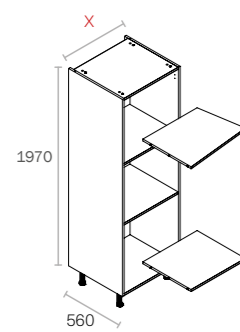
X 600 | 1000



Bridge Unit
H360

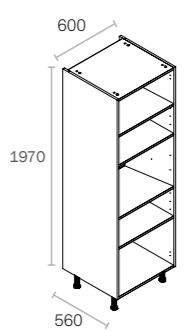
X 600 | 1000

Larder Units

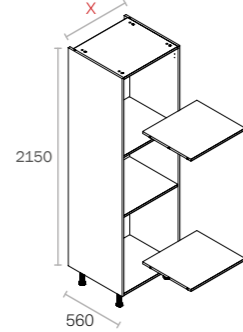


Larder Units

X 300 | 400 | 500 | 600

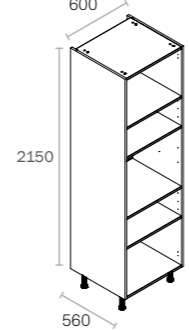


Larder / Oven
Housing Unit



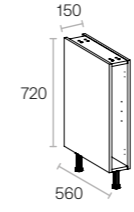
Larder Units

X 300 | 400 | 500 | 600

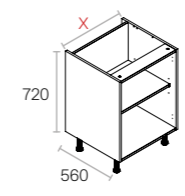


Larder / Oven
Housing Unit

Base Units

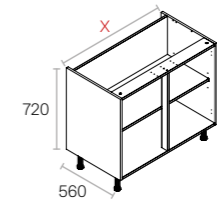


Single Base Unit



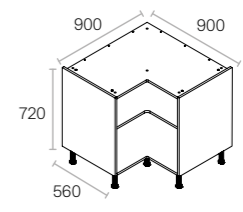
Single Base Unit

X 300 | 400 | 450
500 | 600

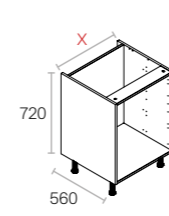


Double Base Unit

X 700 | 800 | 900 | 1000

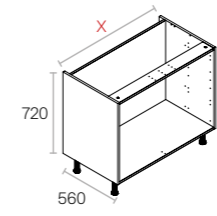


L-Shape Corner
Base Unit



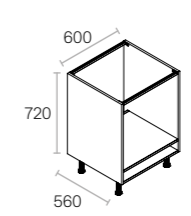
Base Drawer Unit

X 400 | 450 | 500 | 600



Base Drawer Unit

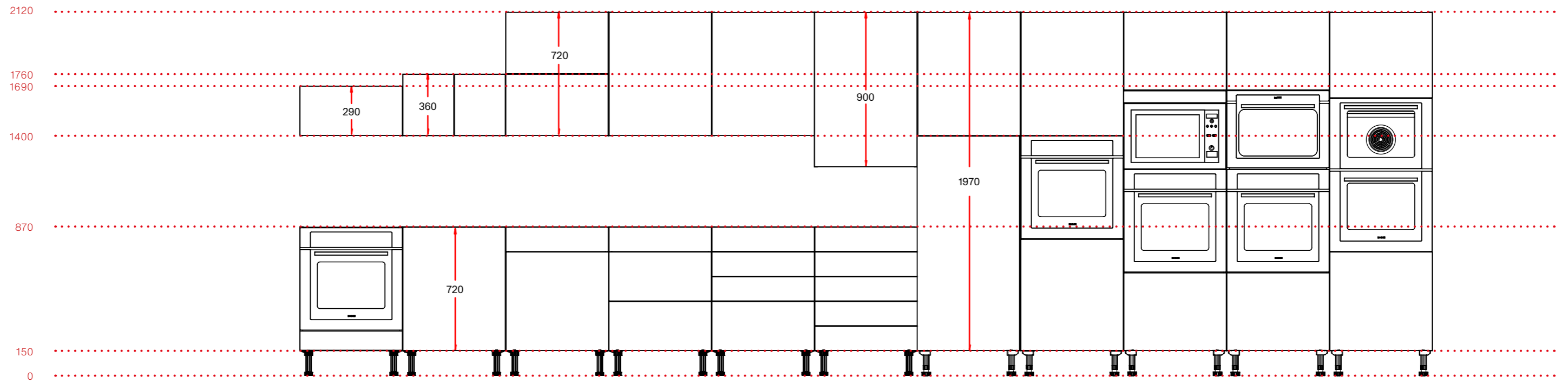
X 800 | 900 | 1000



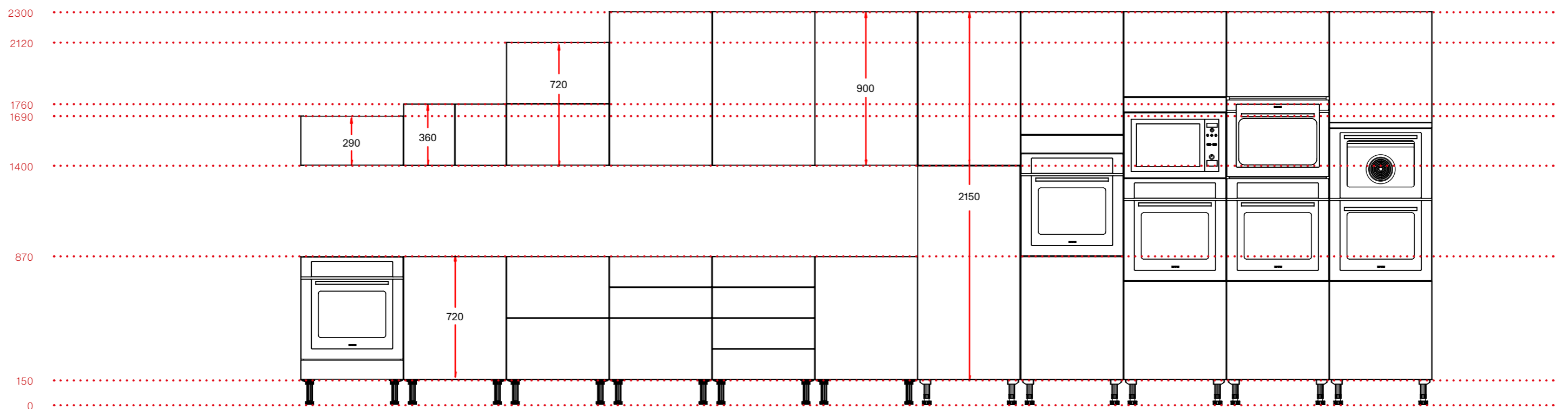
Base Oven Unit

Kitchen planning

Using 720 mm high wall units




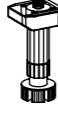
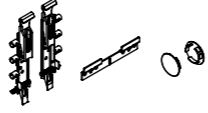
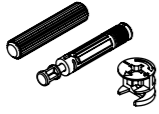
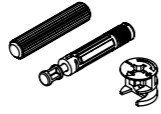
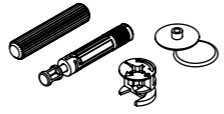


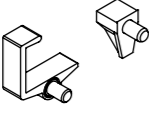

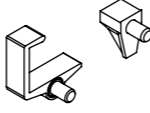



Using 900 mm high wall units



*Adjustable leg height

Fitting Hardware

Included assembly hardware

	Base units fittings	Larder units fittings	Wall units fittings
Legs Hangers			
Assembly System			
Post Assembly			
Shelf Supports			
Ø 5 m Caps			
Ø 8 m Caps			

Finsa

finsa.com

[f](#) [t](#) [i](#) [p](#) [v](#) [i](#)n