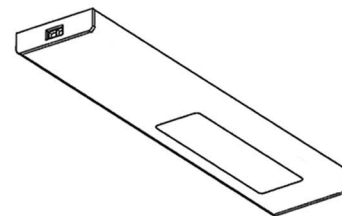


1 x QUADRA SLS LED IN-CABINET LIGHT

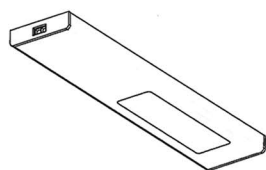


INSTALLATION INSTRUCTIONS

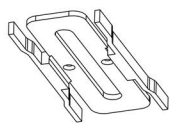
CODE: SE23092C0/SE23092W0

IMPORTANT: Please read these instructions before commencing installation and retain for future reference.

Components



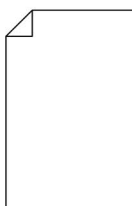
1 x Quadra SLS LED Light



1 x Mounting bracket



2 x Screws

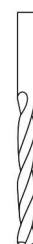


1 x instructions

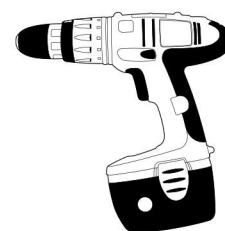
Tools required



Screw Driver



Drill Bit
(9-11mm)



Power Drill

Important Safety Information

Please read these instructions carefully before attempting to install this product. It is advisable to keep these instructions in a safe place for future reference.

We recommend that you consult a qualified electrician. All electrical installation must be carried out in accordance with current IEE wiring regulations (BS7671).

These products must not be modified, if any modification are made, it may invalidate the warranty and may render the product unsafe. These LED lights operate low voltage (24V).

Do not wire the individual LED light fittings directly to the mains. This product should only be used indoors.

- If in doubt installation must be carried out by a qualified electrician.
- Install on smooth flat surface(s) only.
- Do not exceed or stretch the cable length of each LED wire.
- The wattage for each light is 2.5W. Please use the appropriate driver with this light.

Safety Instructions

1. Before commencing installation or maintenance, isolate the main electrical supply for the appropriate circuit at the fuse board.
2. This product is only suitable for connecting to a 240V 50Hz supply with use of a driver.
3. Never exceed the total output of the LED driver.
4. The lights should be mounted onto a secure surface.

5. Suitable for furniture lighting.
6. When the lamp expires the fitting must be replaced

Waste Electrical & Electronic Equipment (WEEE)

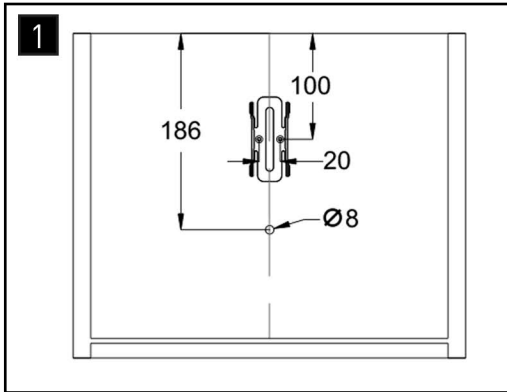
The symbol on the product, or on the document accompanying the product, the crossed out wheellie bin symbol, indicates that this product may not be treated as household waste. Instead it shall be handed over to the applicable collection point for the recycling of electrical and electronic waste.



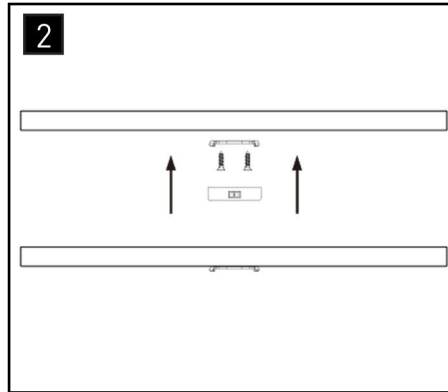
RoHS
Compliant ✓



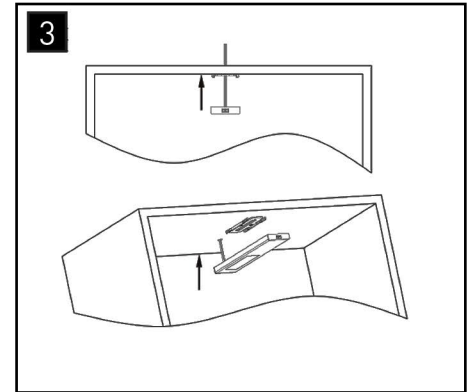
Installation



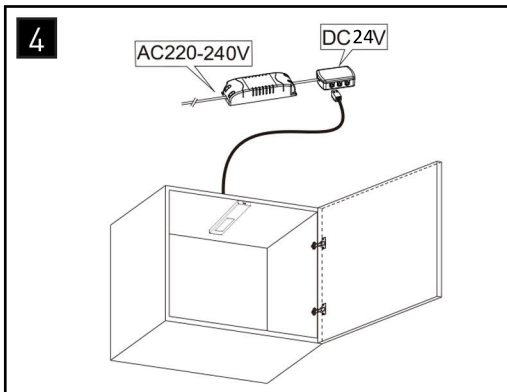
Drill an 8mm hole into the top of the cabinet, as shown in the diagram above. We recommend this to be approx. 186mm from the front of the cabinet for optimum operation.



Then, using the two screws, fix the mounting bracket to the top of the cabinet as per diagrams 1 & 2.



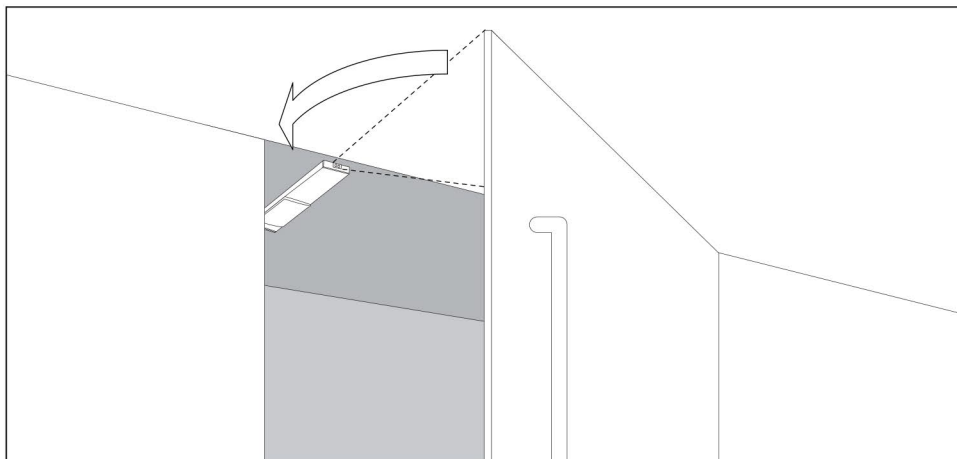
Feed the wire through the 8mm hole and then clip the light into the mounting bracket.



Connect each fitting to the junction box on the driver. Finally, connect the driver to the mains supply and turn the electricity supply on.

Beware not to exceed the maximum wattage of the LED driver. The maximum wattage is displayed on the driver.

Operation



The light should be operated by a wall switch.

The IR sensor operates the light when the cabinet door is opened.

When the door is closed the light will turn off.

Maintenance & Care

- Ensure that the power is disconnected prior to cleaning.
- To keep the finish of this product, wipe over with a soft cloth periodically.
- Do not use harsh chemical solvents, this may dis-colour or damage the finish.