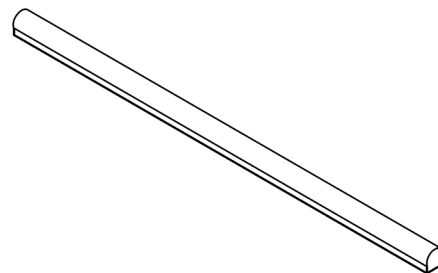


1 x ARROW LED STRIP LIGHT

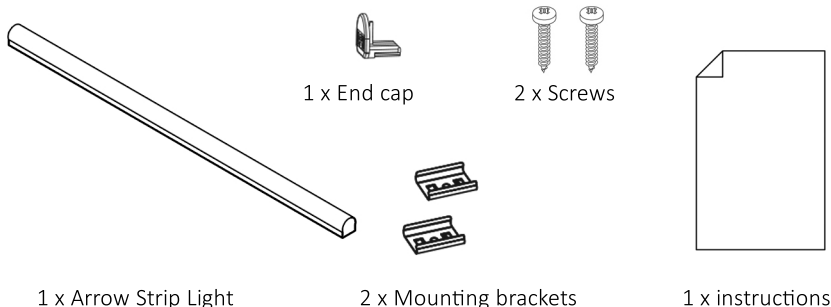


INSTALLATION INSTRUCTIONS

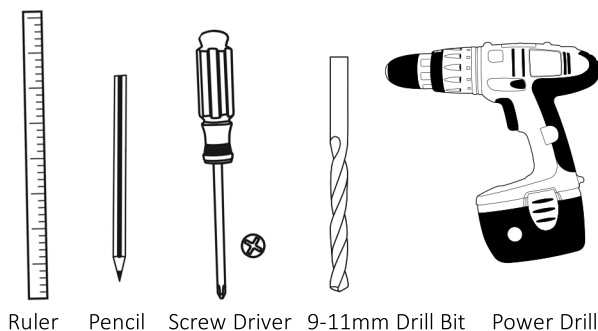
CODE: SE9074HDCW/WW & SE9075HDCW/WW

IMPORTANT: Please read these instructions before commencing installation and retain for future reference.

Components



Tools required



Important Safety Information

Please read these instructions carefully before attempting to install this product. It is advisable to keep these instructions in a safe place for future reference.

We recommend that you consult a qualified electrician. All electrical installation must be carried out in accordance with current IEE wiring regulations (BS7671).

These products must not be modified, if any modification are made, it may invalidate the warranty and may render the product unsafe. These LED lights operate low voltage (24V).

Do not wire the individual LED light fittings directly to the mains. This product can be used indoors and outdoors.

- If in doubt installation must be carried out by a qualified electrician.
- Install on smooth flat surface(s) only.
- Do not exceed or stretch the cable length of each LED wire.
- The Lengths are as follows:
SE9074HDCW/WW = 300mm
SE9075HDCW/WW = 570mm
- The Wattages are as follows:
SE9074HDCW/WW = 4W
SE9075HDCW/WW = 7.5W

Safety Instructions

1. Before commencing installation or maintenance, isolate the main electrical supply for the appropriate circuit at the fuse board.
2. This product is only suitable for connecting to a 240V 50Hz supply with use of a driver.
3. Never exceed the total output of the LED driver.
4. The lights should be mounted onto a secure surface.
5. Suitable for furniture lighting.
6. When the lamp expires the fitting must be replaced

Waste Electrical & Electronic Equipment (WEEE)

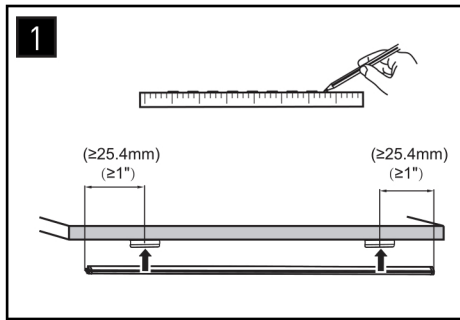
The symbol on the product, or on the document accompanying the product, the crossed out wheeled bin symbol, indicates that this product may not be treated as household waste. Instead it shall be handed over to the applicable collection point for the recycling of electrical and electronic waste.



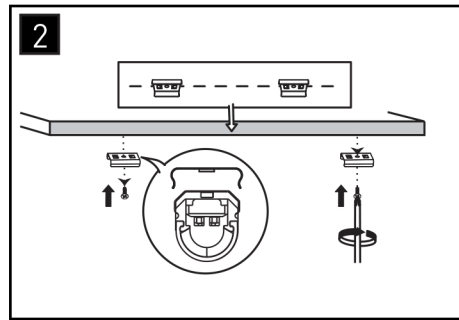
RoHS
Compliant ✓



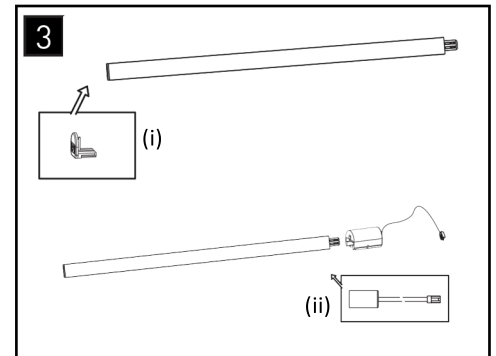
Installation



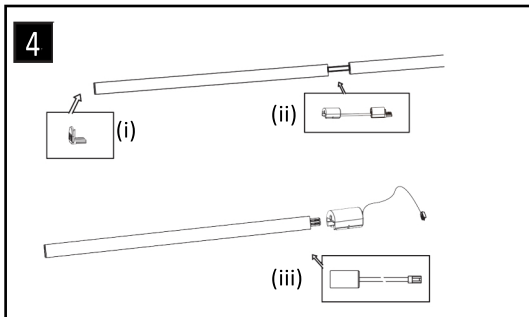
Measure the distance and mark the desired position of the mounting brackets, ensuring they will hold the length of the light fitting. Some guidance is shown above.



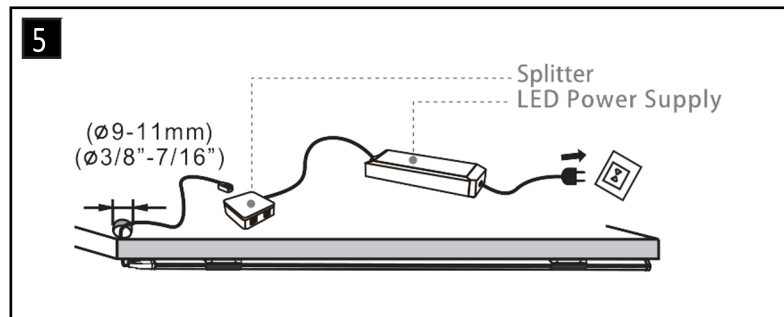
Using the screws, fix the mounting brackets to the marked positioning. Ensuring alignment is correct - as shown above.



If installing a single fitting, attach the end cap to one end of the light (i). At the other end, that will connect to the driver, attach the 1.5m Starting Connector (ii).

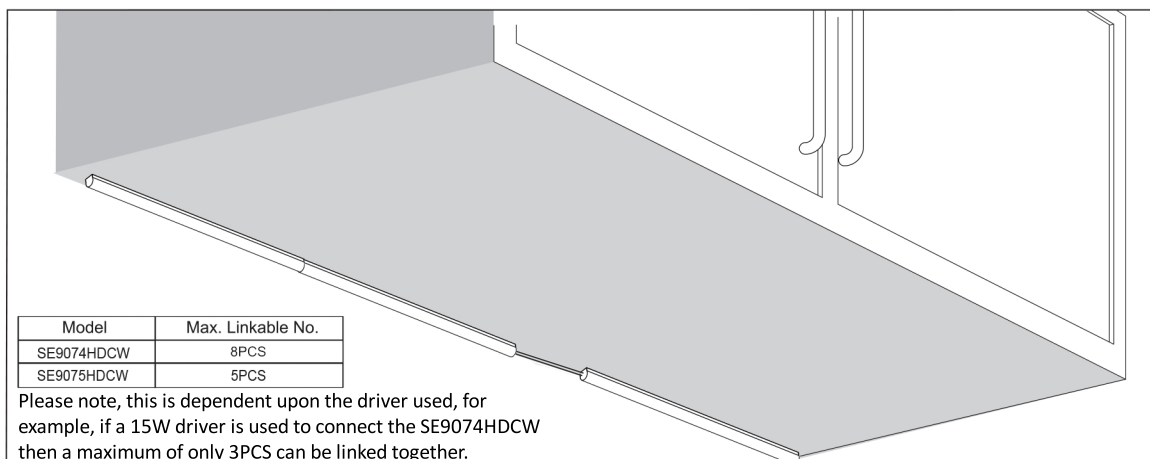


If installing multiple fittings, attach the end cap to one end of the first light fitting (i). At the other end, either directly connect to the next fitting, or using the 500mm Inter Connector, link to the next fitting (ii). Continue until the last fitting and then attach the 1.5m Starting Connector (iii).



Secure the lights into the mounting brackets by firmly pressing upwards. Next, drill a hole between 9-11mm in your cabinet in order for the starting connector wire to be fed through to the driver. Connect this wire to the driver. The driver can then be connected to the 13 Amp plug (shown above).

Operation



Please note, this is dependent upon the driver used, for example, if a 15W driver is used to connect the SE9074HDCW then a maximum of only 3PCS can be linked together.

The Arrow lights can be directly connected to each other.

Essential parts:
Use the 1.5m Starting Connector to link your lights to your driver.

Additional parts:
Use the Corner Connector to link fittings around a corner.

Use the 500mm Inter Connector to space fittings out.

Maintenance & Care

- Ensure that the power is disconnected prior to cleaning.
- To keep the finish of this product, wipe over with soft cloth periodically.
- Do not use harsh chemical solvents, this may dis-colour or damage the finish.