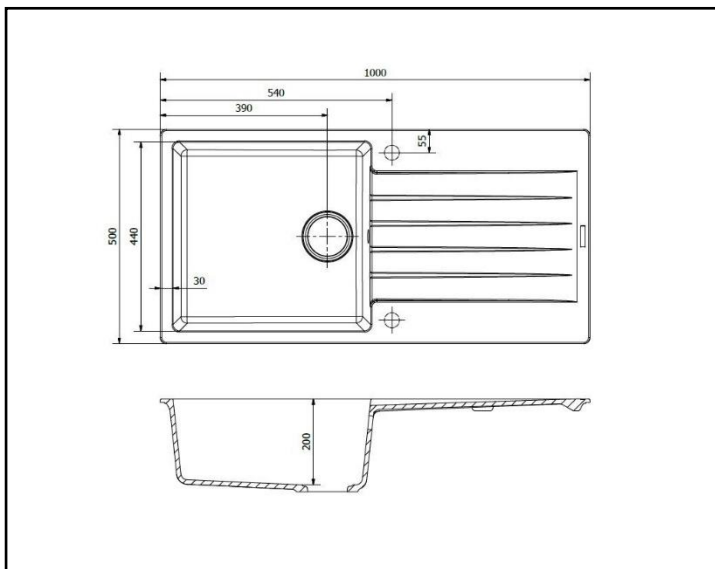
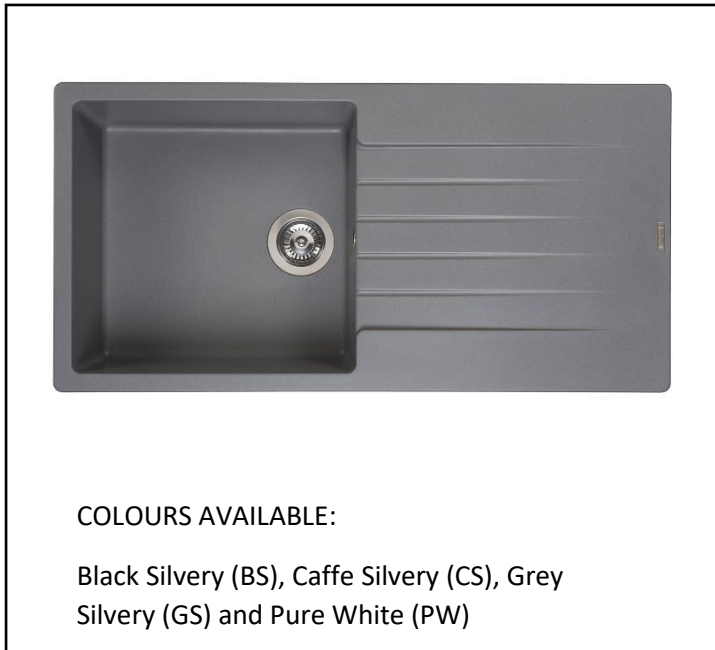


HARLEM 10

Single bowl granite sink with drainer



SPECIFICATION	
Colours	<i>BS, CS, GS, PW</i>
Material	<i>Granite</i>
Installation	<i>Inset Only</i>
Tap Holes	<i>2 tap holes partially drilled</i>
Base Unit	<i>600mm</i>
Steel Gauge	<i>N/A</i>

DIMENSIONS	
Product Dimensions	<i>1000 x 500 x 200mm</i>
Product Weight	<i>22KG</i>
Box Dimensions	<i>1100 x 590 x 275mm</i>
Packed Weight	<i>24KG</i>

CARE & MAINTENANCE	
Routine Maintenance	
The best way to clean your sink is with a microfibre cloth or a soft sponge and using non-abrasive cleaning products. We do NOT recommend the use of bleach on any of our granite products. After cleaning the granite sink we recommend that you rinse the surface with warm water, carefully drying the area with a soft cloth.	
General Advice	
We recommend that you regularly use a descaling detergent that prevents stains and the formation of calcareous deposits.	
When cleaning do not use any sharp or abrasive equipment.	
Do not leave leftover food or liquids on the bottom of the as extended contact with such products could lead to discolouration of the sink.	

FEATURES & BENEFITS			
10 YEAR WARRANTY <i>(sink only)</i>	SINGLE BOWL	2 X 35MM TAP HOLES	90MM WASTE INCLUDED
FIXING CLIPS INCLUDED	REVERSIBLE	OVERFLOW INCLUDED	600MM BASE UNIT