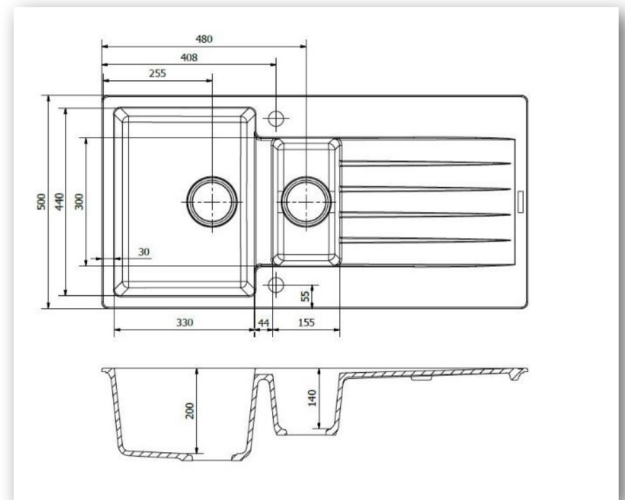
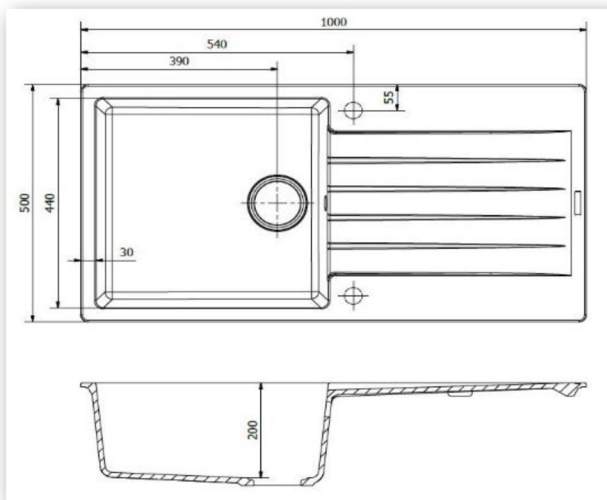




REGINOX

Harlem Sinks

Technical Specifications



Tap Hole Knock-Out Process

Reginox granite sinks are provided with a preformed section to make a tap hole, determined by the left or right-handed orientation of the sink during installation.

1. Partly pre-milled cut-out can be seen from the underside of the sink, and at the front there is a sticker which shows where a punch can be used
2. To punch the hole correctly, place the sink in the countertop cut-out and only then use a punch
3. The diameter of the punch should be 8-10mm. Hit the punch firmly against the sticker-indicated spot
4. Be careful not to hit the punch against the sink surface
5. The warranty does not cover damage resulting from incorrect installation or incorrect tap mounting hole preparation.