

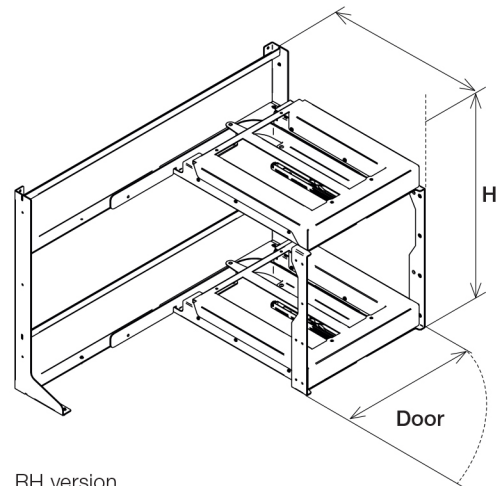
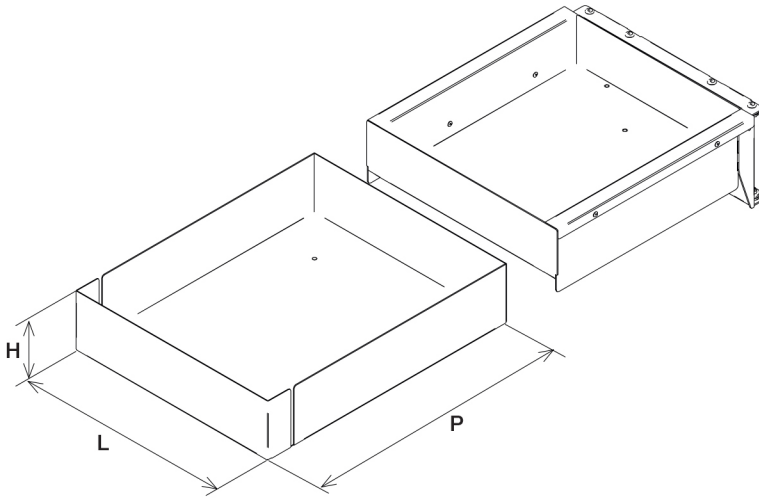


VITBO®

Fly Box

Fly Box Shelves

Fly Box base mechanism



RH version

Dimensions

Code	L	P	H
FLYB45L	360	448	96

Dimensions

Code	Door	H
FLYBST452	45/50	560

Max capacity


Back Shelf **7 Kg**
Front Shelf **13 Kg**


Max capacity **40 Kg**

Maintenance

Cleaning suggestions for chrome plated, epoxy coated or black-grey anodised aluminium products: rinse with water and wipe dry with a clean cloth or chamois leather. For more tenacious stains, use a little warm vinegar, normal cleaning products not containing abrasive powders or water and alcohol diluted in equal parts. Unsuitable products: metal pads, hydrochloric acid or bleach, all products containing abrasive powders, diluents and acetone.

