

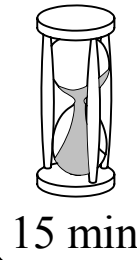
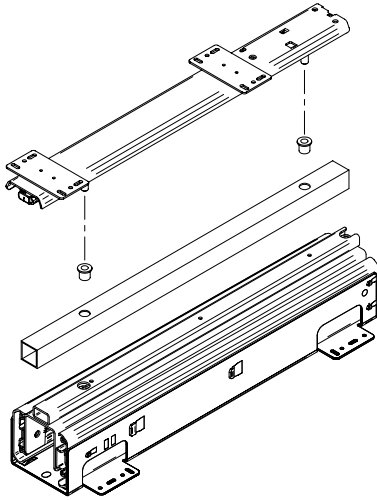
**VIBO**<sup>®</sup>  
Wire processing

Portata massima:  
Maximum load:  
Charge maxi:  
Maximale belastbarkeit:  
Carga maxima:

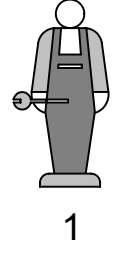
120  
Kg

**Istruzioni di montaggio**  
Assembling instructions  
Notice de montage  
Montageanleitung  
Manual de montaje

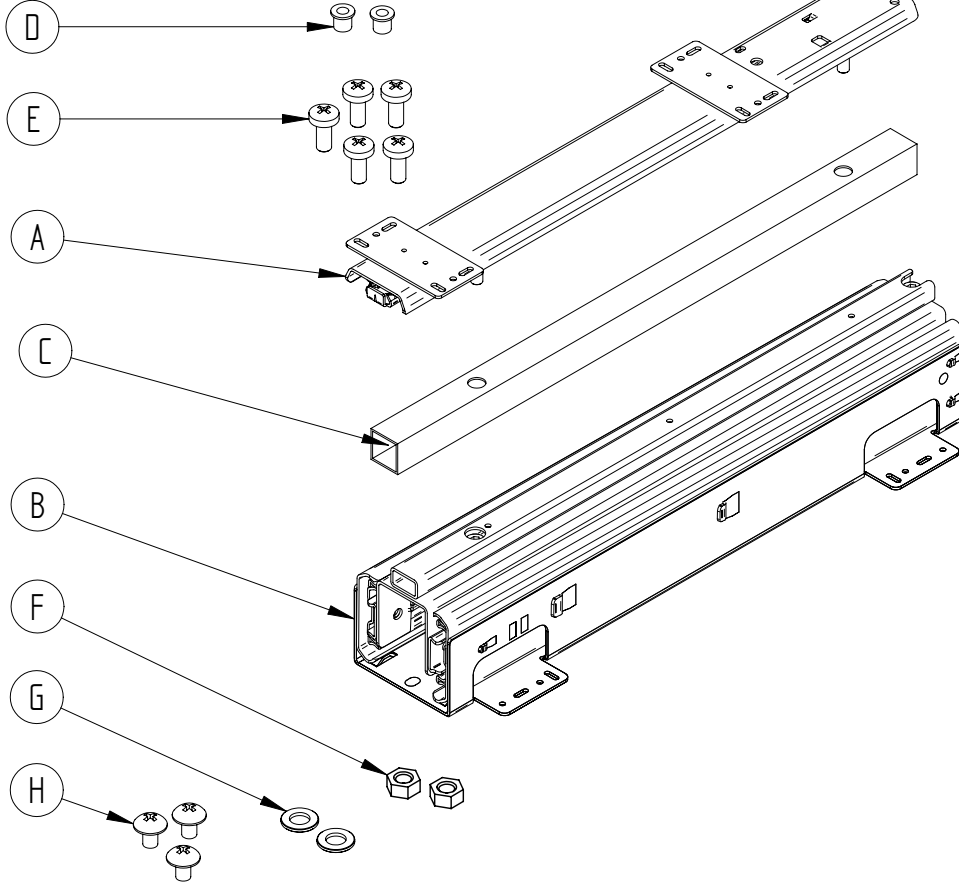
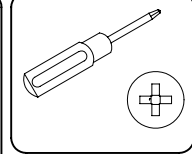
**GCTTM**



15 min



1



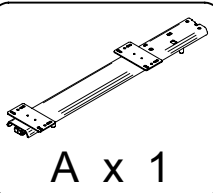
**PRIMA DI COMINCIARE,  
VEDERE I CONSIGLI DI  
MONTAGGIO**

BEFORE STARTING, REFER  
TO THE ASSEMBLING  
ADVICE IN ANNEX

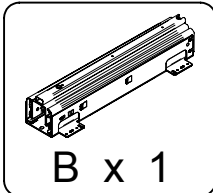
AVANT DE COMMENCER, SE  
REPORTER AUX CONSEILS  
DE MONTAGE EN ANNEXE

VOR DIE MONTAGE, BITTE  
BEILIEGENDE  
ANWEISUNGEN FOLGEN

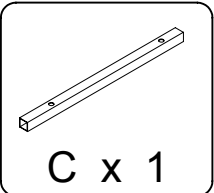
ANTES DE EMPEZAR  
CONSULTE LOS CONSEJOS  
PARA EL MONTAJE



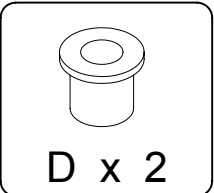
A x 1



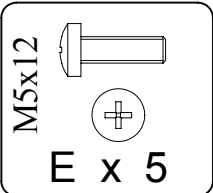
B x 1



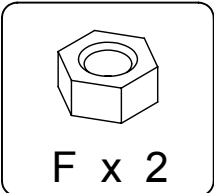
C x 1



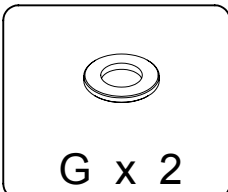
D x 2



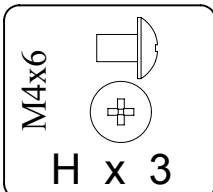
E x 5



F x 2



G x 2



M4x6  
H x 3



# Montaggio colonna

Assembling Pull-Out column

Montage de la colonne

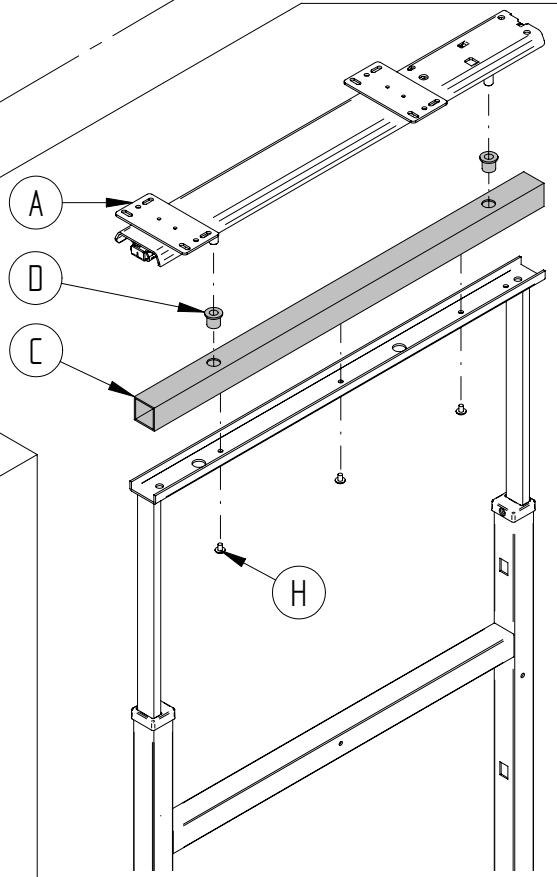
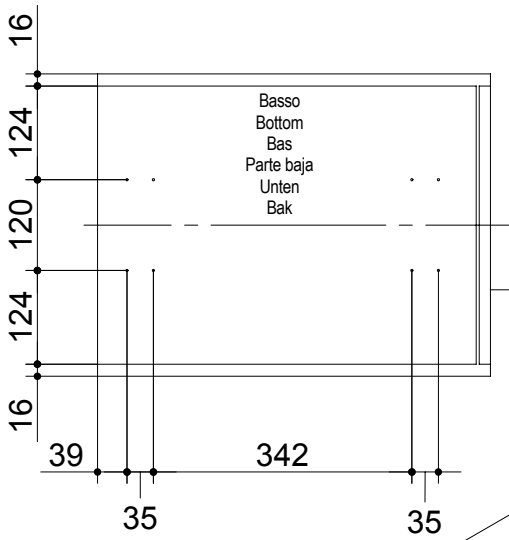
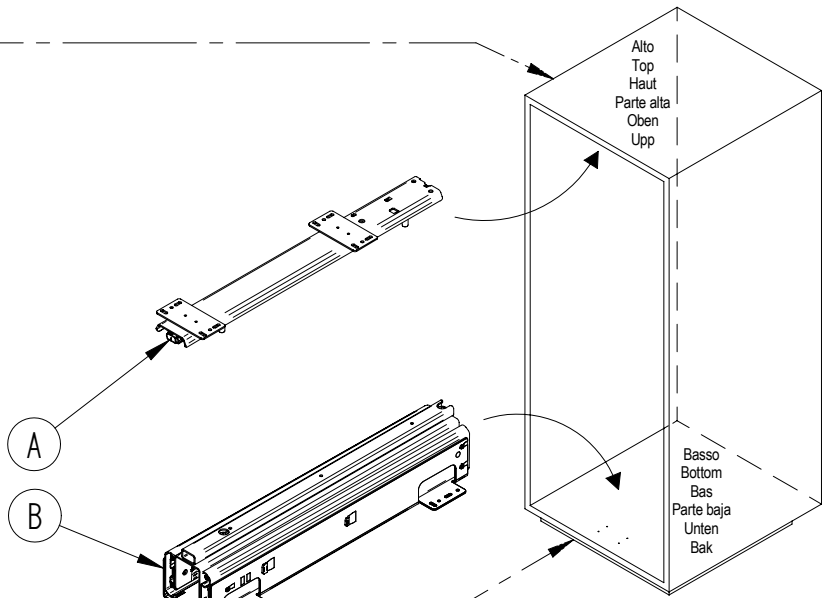
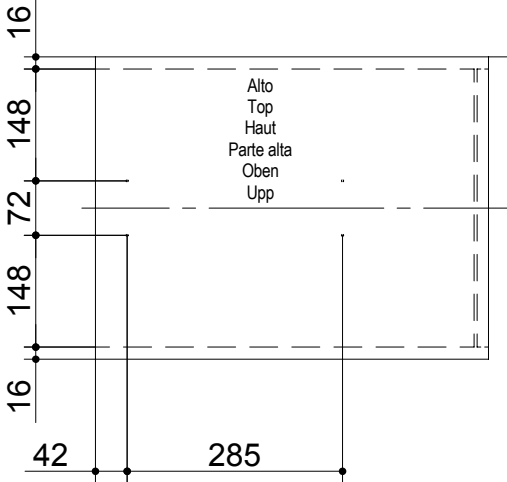
Montaje del elemento columna

Montering av kolumn

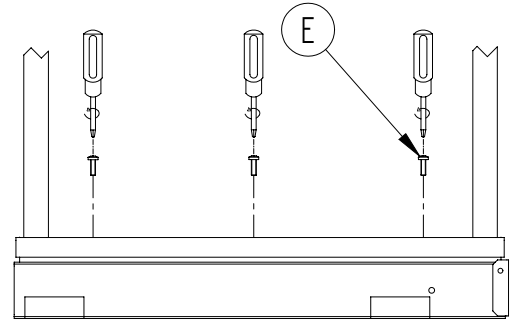
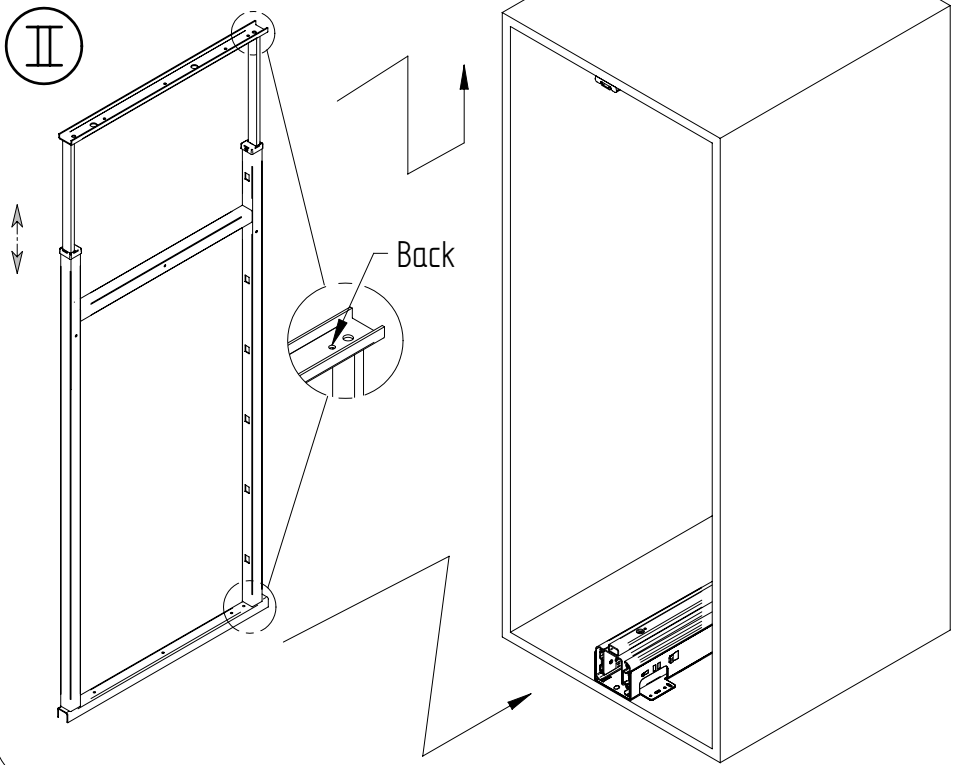
Montage des Rahmen

Montering af søjle

I



II





# Montaggio colonna

Assembling Pull-Out column

Montage de la colonne

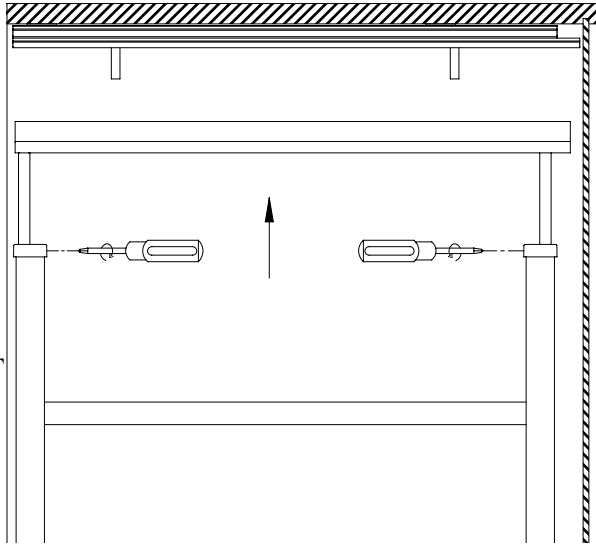
Montaje del elemento columna

Montering av kolumn

Montage des Rahmen

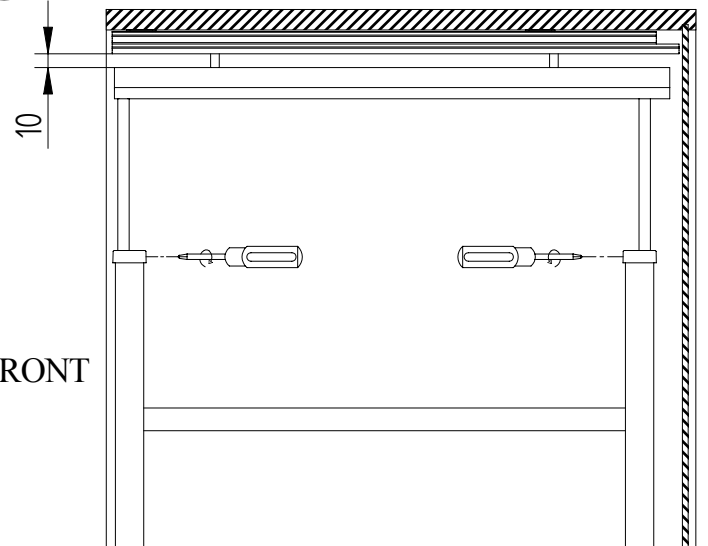
Montering af søjle

III



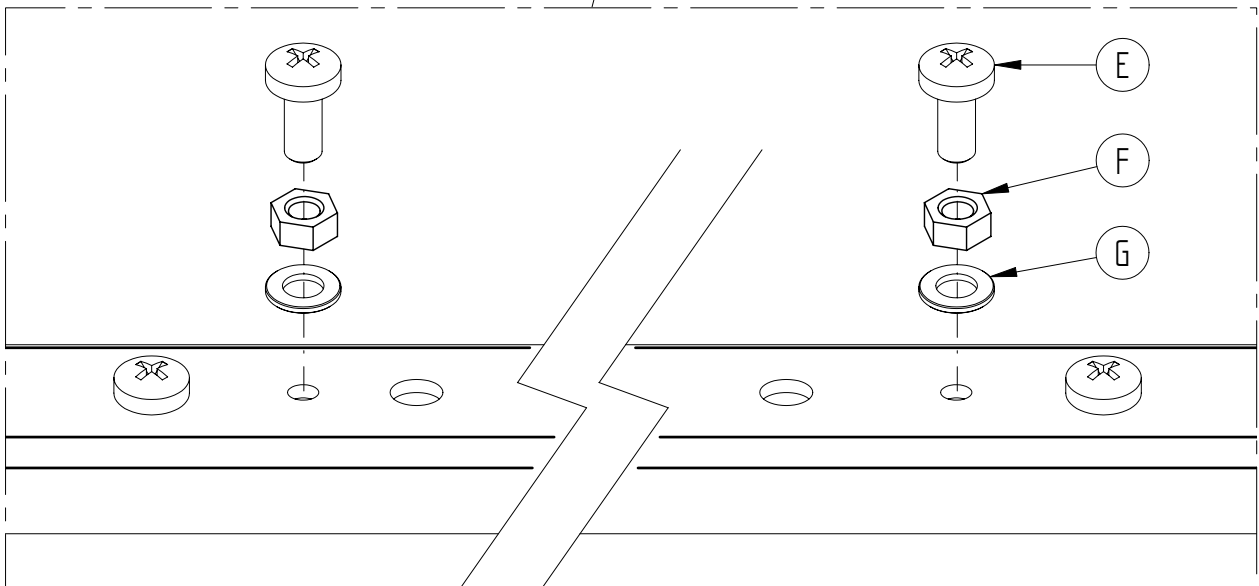
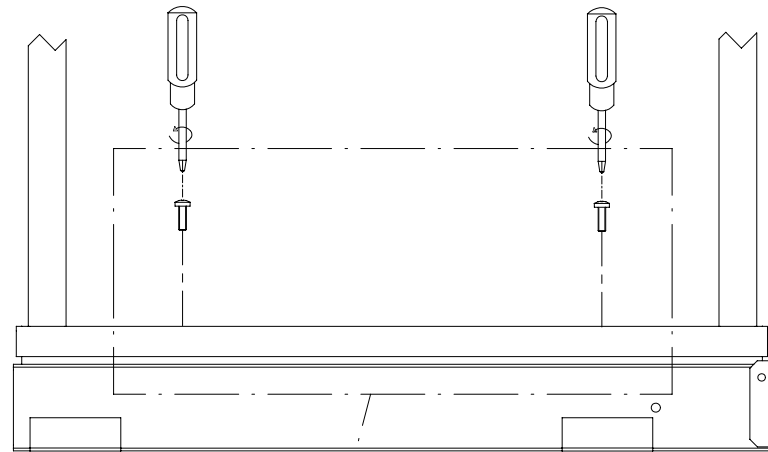
FRONT

IV



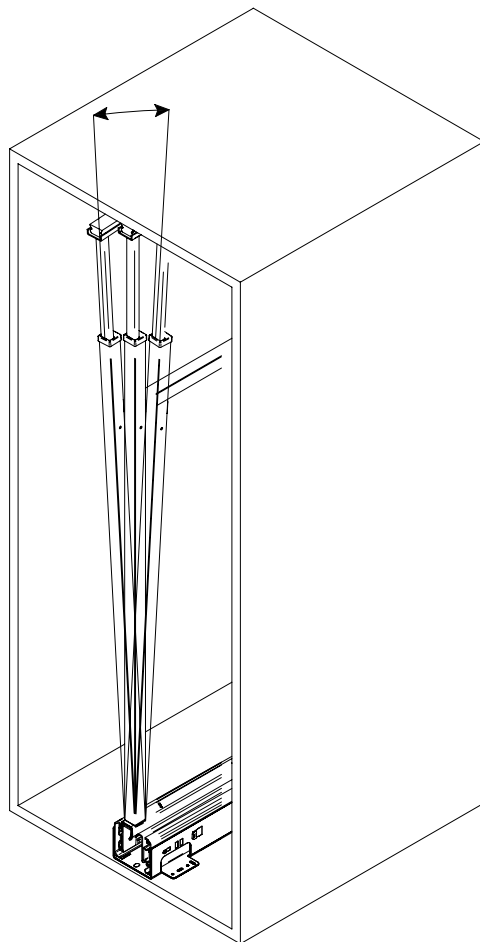
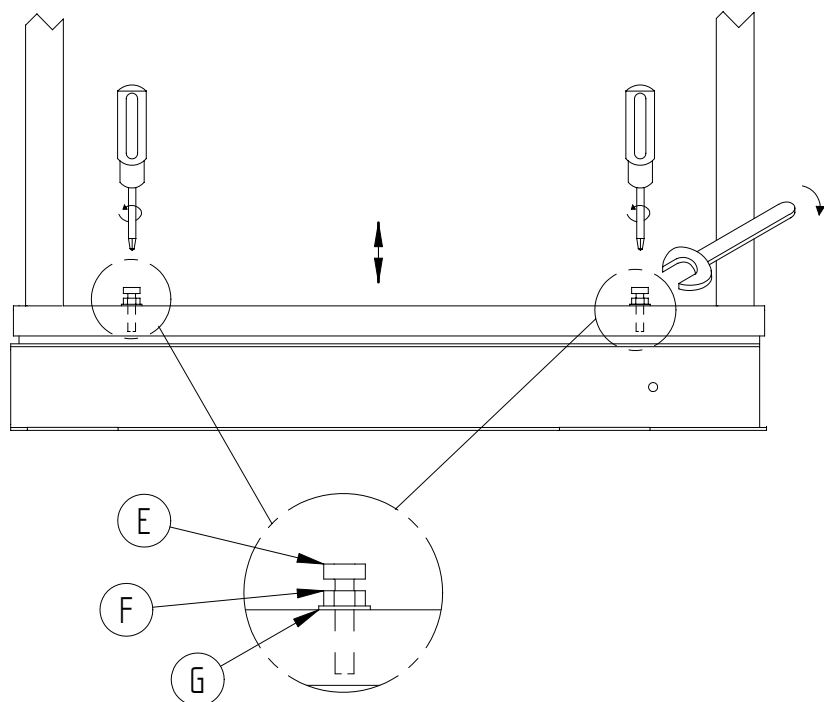
FRONT

V

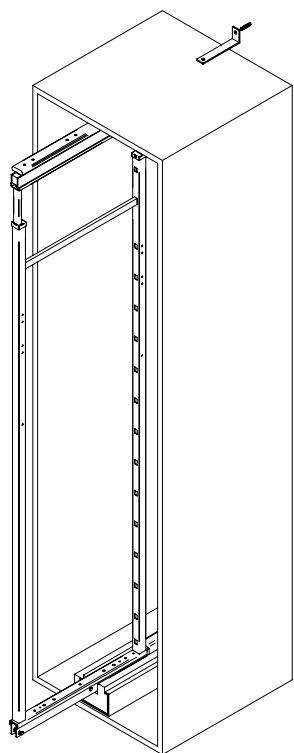




VI



**ATTENTION !!!**



**THE LARDER UNIT  
MUST BE FIXED  
TO THE WALL  
AS DESCRIBED  
HERE BESIDE**

