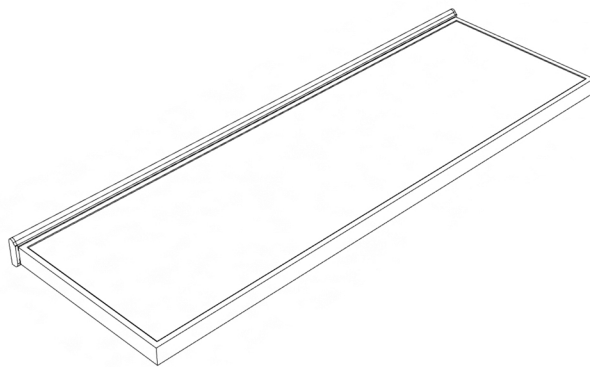


# Torino

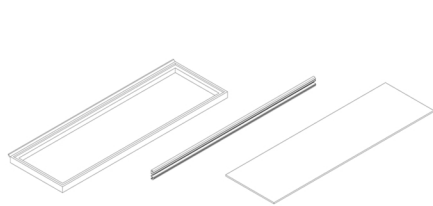
## LED Wall Mounted Shelf



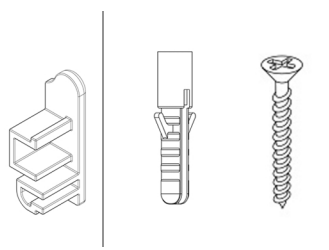
### INSTALLATION INSTRUCTIONS

**IMPORTANT:** Please read these instructions before commencing installation and retain for future reference.

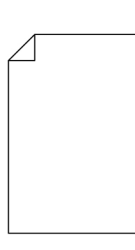
#### Components



Shelf Frame Wall Bracket Glass Pane

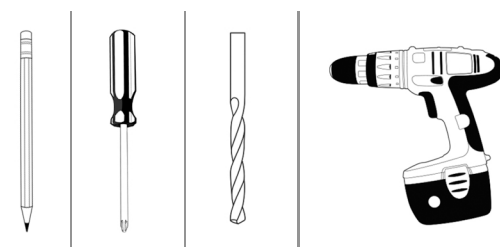


2 x End-Caps  
Rawl Plugs & Screws  
4 of each for 900mm wide shelves  
3 of each for 600mm wide shelves



1 x Instructions Manual

#### Tools Required



Pencil Screwdriver Ø6 mm Drill Bit Power Drill

#### Important Safety Information

Please read these instructions carefully before attempting to install this product. It is advisable to keep these instructions in a safe place for future reference.

We recommend that you consult a qualified electrician. All electrical installation must be carried out in accordance with current IEE wiring regulations (BS7671).

These products must not be modified, if any modification are made, it may invalidate the warranty and may render the product unsafe. These LED lights operate low voltage (24V).

Do not wire the individual LED light fittings directly to the mains. This product is for indoor use only. Keep out of moisture and use only in dry rooms.

- If in doubt, installation must be carried out by a qualified electrician.
- Install on smooth flat surface(s) only.
- Do not exceed or stretch the cable length of each LED wire.
- This product is IP20 Rated.
- The wattage for each shelf is listed in the table below. Make sure that the LED driver used with the shelf has an appropriate max wattage, which is higher than the product wattage.

Product Code	Model	Wattage
SE17232C0	600 x 200 x 20 (Silver)	5.4W
SE17238C0	600 x 200 x 20 (Black)	5.4W
SE17262C0	900 x 200 x 20 (Silver)	8.4W
SE17268C0	900 x 200 x 20 (Black)	8.4W

#### Safety Instructions

1. Before commencing installation or maintenance, isolate the main electrical supply for the appropriate circuit at the fuse board.
2. This product is only suitable for connecting to a 240V 50Hz supply.
3. The lights should be mounted onto a secure surface.
4. Never exceed the total output of the LED driver.
5. Suitable for furniture lighting.
6. When the lamp expires the fitting must be replaced
7. Class III safety extra low voltage (SELV).

#### Waste Electrical & Electronic Equipment (WEEE)

The symbol on the product, or on the document accompanying the product, the crossed out wheellie bin symbol, indicates that this product may not be treated as household waste. Instead it shall be handed over to the applicable collection point for the recycling of electrical and electronic waste.



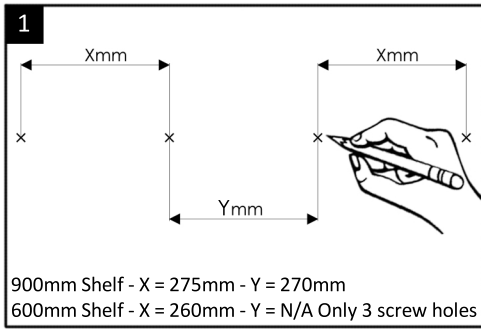
**RoHS** Compliant ✓ **CE**

Sensio House, Unit 7, Speedwell Road, Whitwood, Castleford, West Yorkshire, WF10 5PY

[www.sensio.co.uk](http://www.sensio.co.uk)

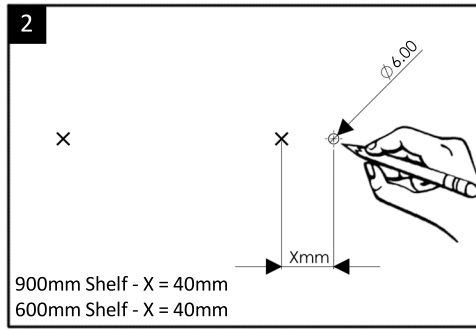
Technical drawings for illustration purposes only, Sensio has the right to change any information without prior notice.

## Installation

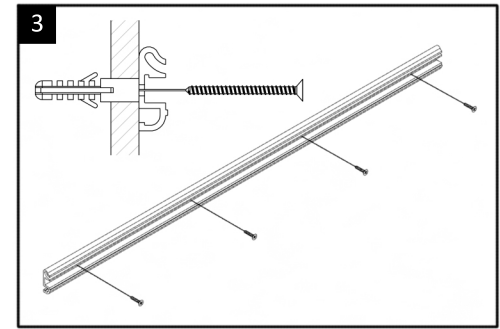


Carefully mark the desired locations for the screw holes using the dimension shown above and proceed to drill the holes.

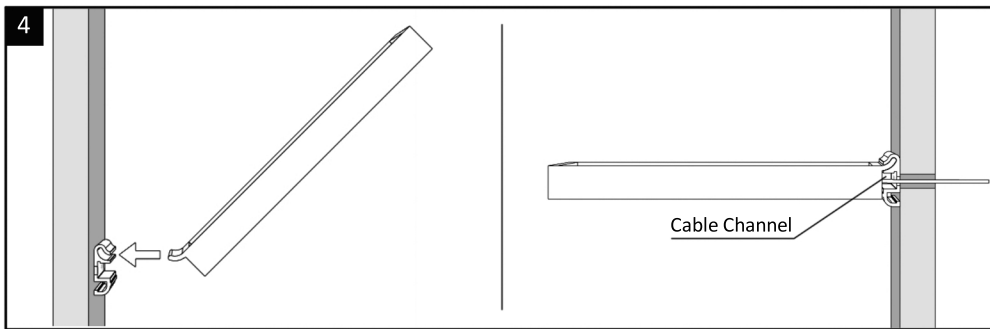
**Note:** You will need to use a  $\varnothing 8\text{mm}$  drill bit.



After drilling the screw holes, you will need to carefully mark an additional hole for the cable using the dimensions shown above. Proceed to drill the hole once complete.

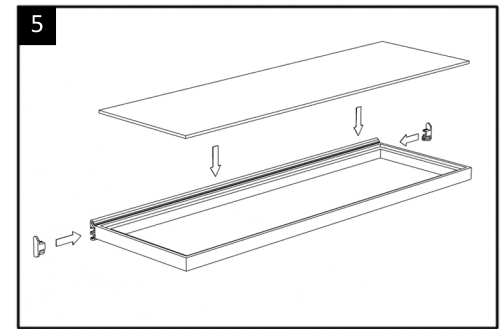


Insert the Rawl plugs into the wall and then screw the bracket into position.



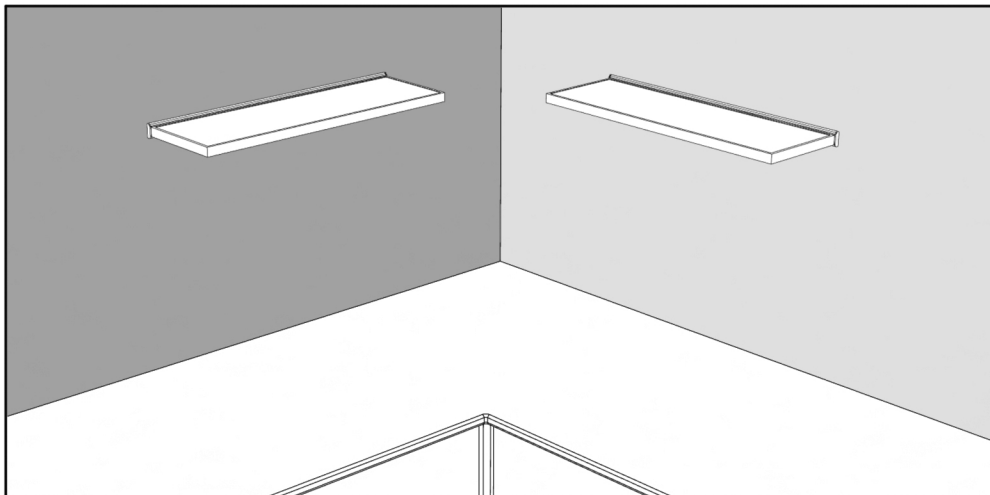
Insert the hook on the shelf into the groove of the wall bracket.

**Note:** Be careful to thread the cable through the cable channel and into the  $\varnothing 8\text{mm}$  hole. Once the cable is threaded, connect it to the driver.



Insert the two end caps and the pane of glass. Finally, connect the driver to the mains supply, or attach a plug.

## Operation



### Product Overview

The Torino is a sleek and stylish LED shelf that has cool white LED's embedded within the frame to create a stunning glow as the light is refracted through the tempered glass.

The shelf is designed for easy installation, so once the wall bracket is secured to the wall the shelf simply slots into it.

The Torino is available in two colours, which are anodized aluminium and matt black. The product is also available in 600 or 900mm lengths.

The Torino has a high IP rating (IP44) making the shelf suitable for installation in bathroom zone 2. It also has a recommended maximum load of 8kg, making it suitable to display a multitude of objects and decorations.

## Maintenance & Care

- Ensure that the power is disconnected prior to cleaning.
- To keep the finish of this product, wipe over with soft cloth periodically.
- Do not use harsh chemical solvents, this may dis-colour or damage the finish.
- Do not over-tighten screws on the terminal block.