



Multi-purpose fitting "DELTA"

PIVOT ARMS AND FITTINGS FOR LIFT-UP DOORS.





INDAUX PRESENTS ITS NEW MULTI-PURPOSE FITTING FOR LIFT-UP, DROP-DOWN HINGED DOORS AND LIDS. IT HOLDS THE DOOR OPEN AND, DEPENDING ON ITS ADJUSTMENT, BRAKES THE DOOR AS IT DROPS OR HOLDS IT IN INTERMEDIATE POSITIONS. THE FITTING ITSELF MAY BE FITTED ON THE RIGHT OR ON THE LEFT. THE UNUSUAL DESIGN GIVES THE ELEMENT STYLISH LINES, REDUCED SIZE, AND MAKES IT EXTREMELY HARD-WEARING.




Multi-purpose fitting "DELTA"

PIVOT ARMS AND FITTINGS FOR LIFT-UP DOORS


1	MULTI-PURPOSE FITTING "DELTA"		<i>pp.</i>
	■ CONFIGURATION OF FITTING		151
	■ ASSEMBLY		152
	■ TECHNICAL DATA		153
			155

1 MULTI-PURPOSE FITTING "DELTA"


FITTING FOR HINGED DOORS AND LIDS.

			
NICKEL PLATED ZAMAK	810.000.063	100	


BRACKET FOR FIXING TO THE SIDE PANEL.

DRILLING DISTANCE			
HINGED DOORS	LIDS		
28MM.	50MM.	810.328.061	200

BRACKET FOR FIXING TO THE SIDE PANEL.

DRILLING DISTANCE			
HINGED DOORS	LIDS		
37MM.	59MM.	810.237.062	200

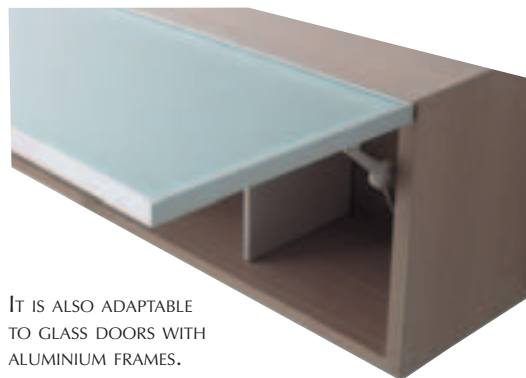
BRACKET FOR FIXING TO THE DOOR.

TYPE OF DOOR			
TIMBER	810.400.065		
ALUMINIUM FRAME	810.500.062	200	

BAG OF FITTINGS.

1 FITTING +1 BRACKET FOR SIDE +1 BRACKET FOR DOOR	810.100.060
---	-------------

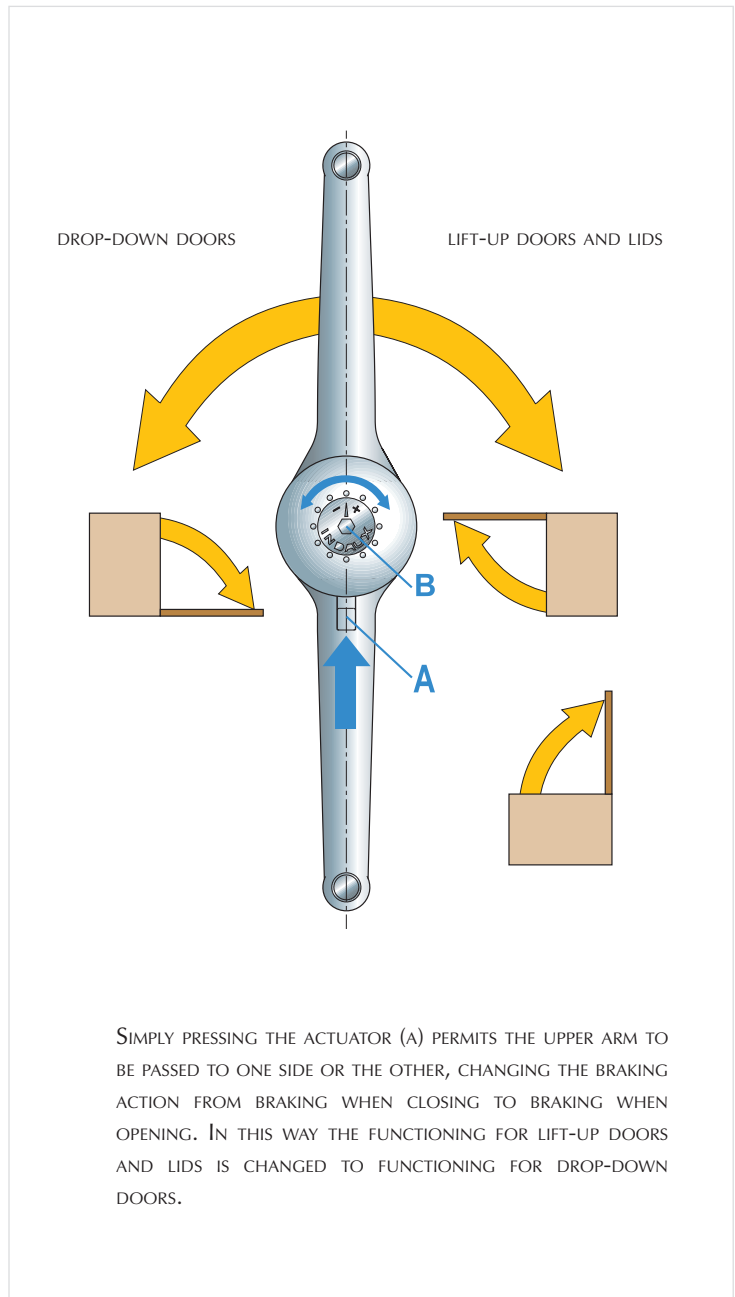
SUPPLIED IN BOXES OF 50 BAGS EACH CONTAINING ONE FITTING FOR HINGED DOORS AND LIDS, ONE BRACKET FOR FIXING TO THE SIDE PANEL 37 MM FROM THE EDGE AND ONE BRACKET FOR TIMBER DOORS.



IT IS ALSO ADAPTABLE TO GLASS DOORS WITH ALUMINIUM FRAMES.

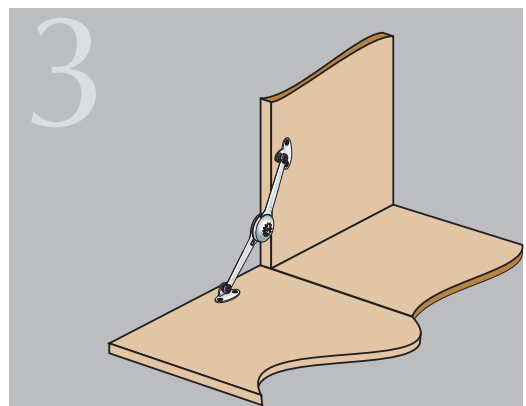
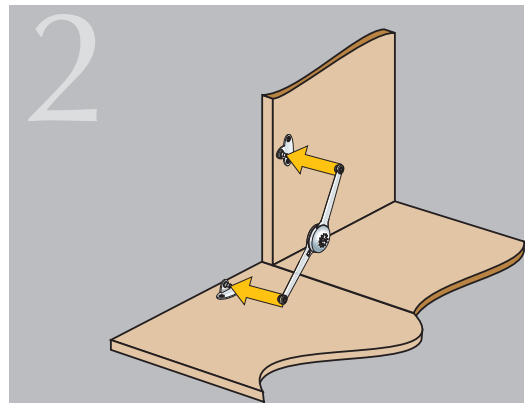
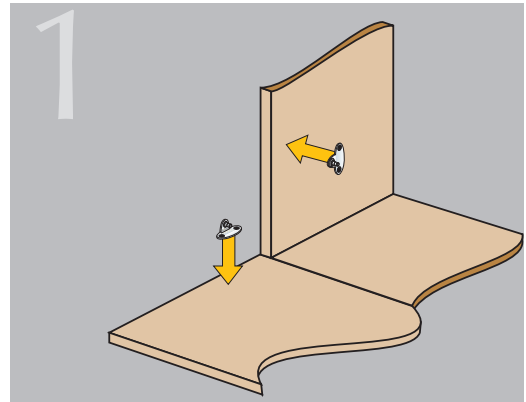
■ CONFIGURATION OF FITTING

DEPENDING ON THE FORCE ADJUSTMENT, A VARIETY OF POSITIONS CAN BE ACHIEVED WITH THE 4 MM ALLEN SCREW (B), FROM SIMPLY BRAKING THE DOOR WHEN DROPPING TO THE INTERMEDIATE POSITIONING OF THE DOOR.

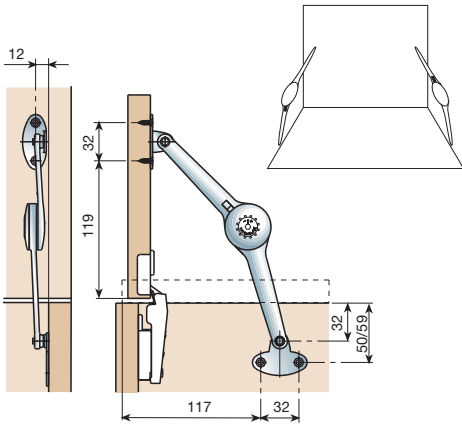


ASSEMBLY

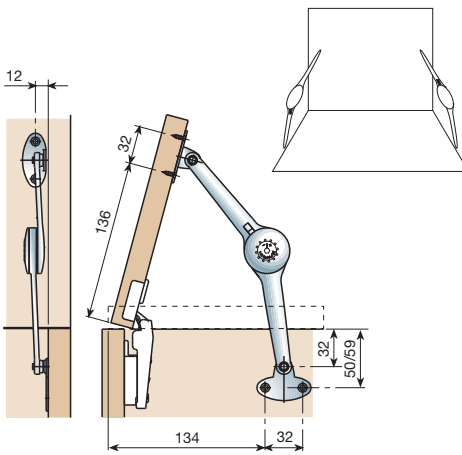
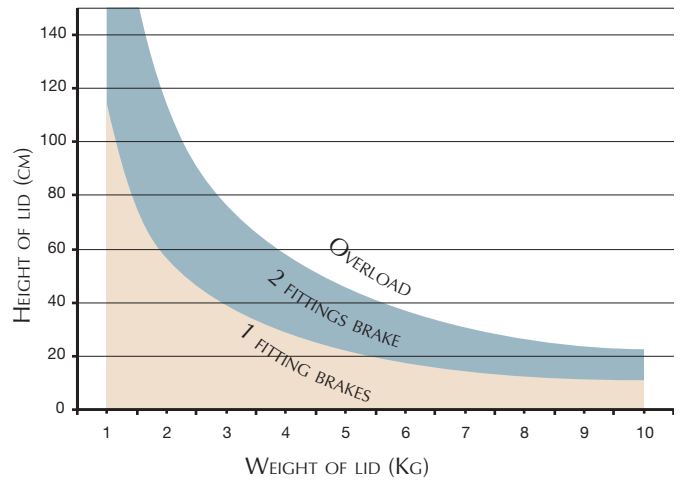
THE FITTING IS VERY EASY TO ASSEMBLE. WHEN THE BRACKETS HAVE BEEN SCREWED IN PLACE INDEPENDENTLY, THE FITTING CAN BE FITTED INTO THEM MANUALLY, AND IT CAN THEREFORE BE SUPPLIED SEPARATELY.



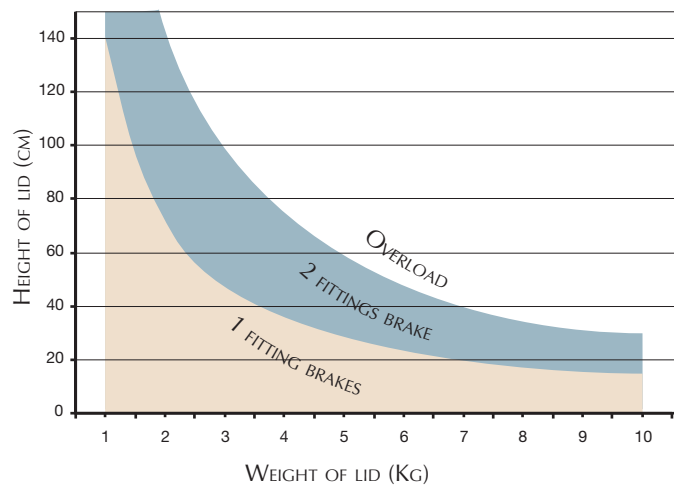
TECHNICAL DATA

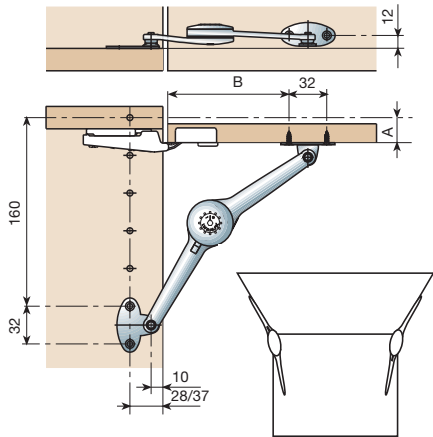


LIFTABLE TO 90° LID

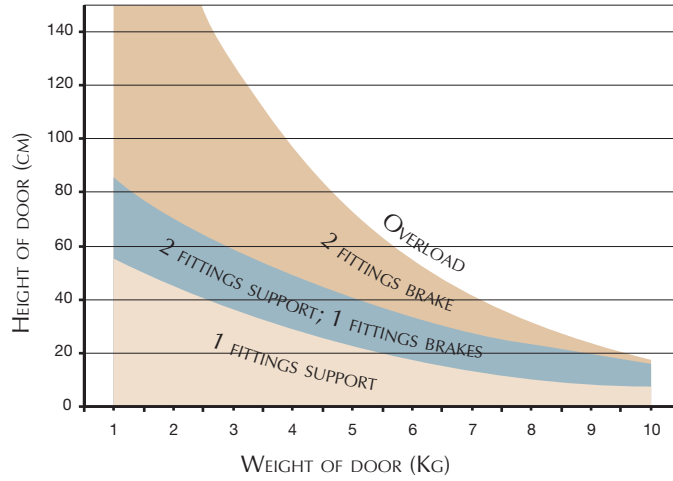


LIFTABLE TO 75° LID

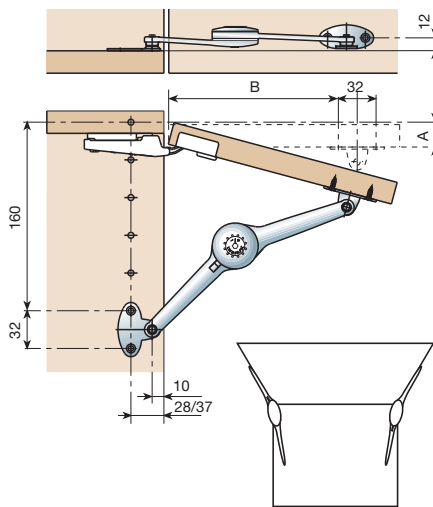




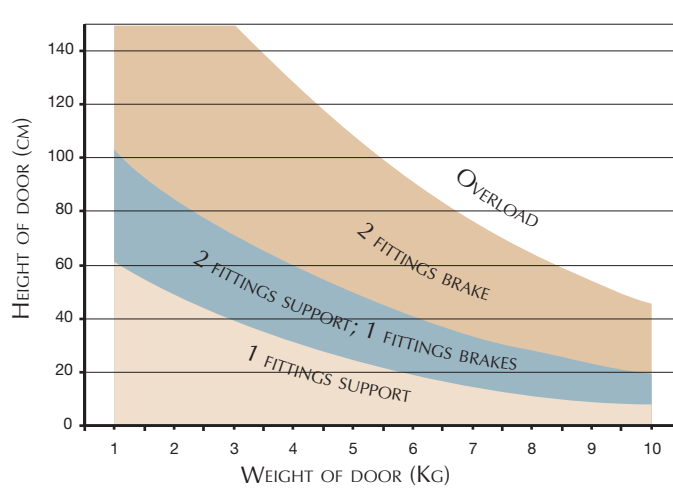
LIFTABLE TO 90° DOOR



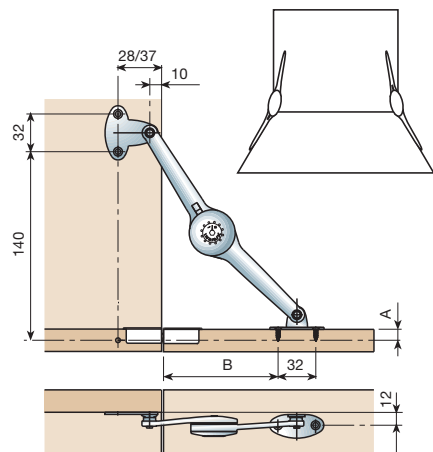
A	B
8	90
9	91
10	92
11	93
12	95
13	96
14	97
15	98
16	99
17	100
18	101
19	102
20	103
21	103
22	104
23	105
24	105
25	106



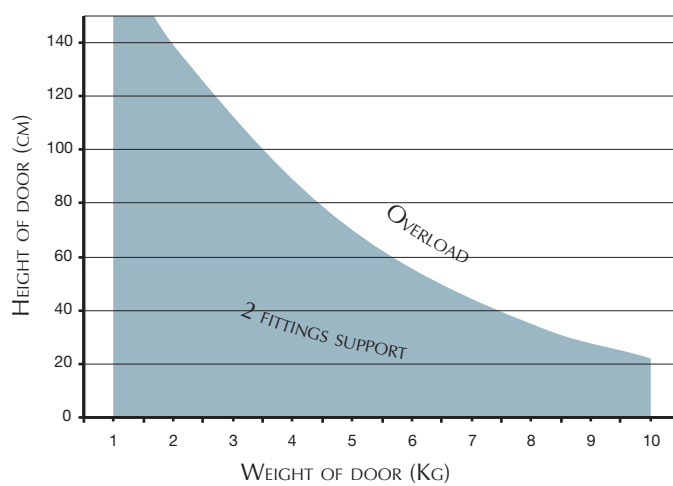
LIFTABLE TO 75° DOOR



A	B
8	132
9	133
10	134
11	135
12	137
13	138
14	139
15	140
16	141
17	142
18	143
19	143
20	144
21	144
22	145
23	146
24	146
25	147



DROP-DOWN DOOR



A	B
8	98
9	99
10	100
11	101
12	103
13	104
14	105
15	106
16	107
17	108
18	109
19	110
20	111
21	111
22	112
23	113
24	113
25	114

