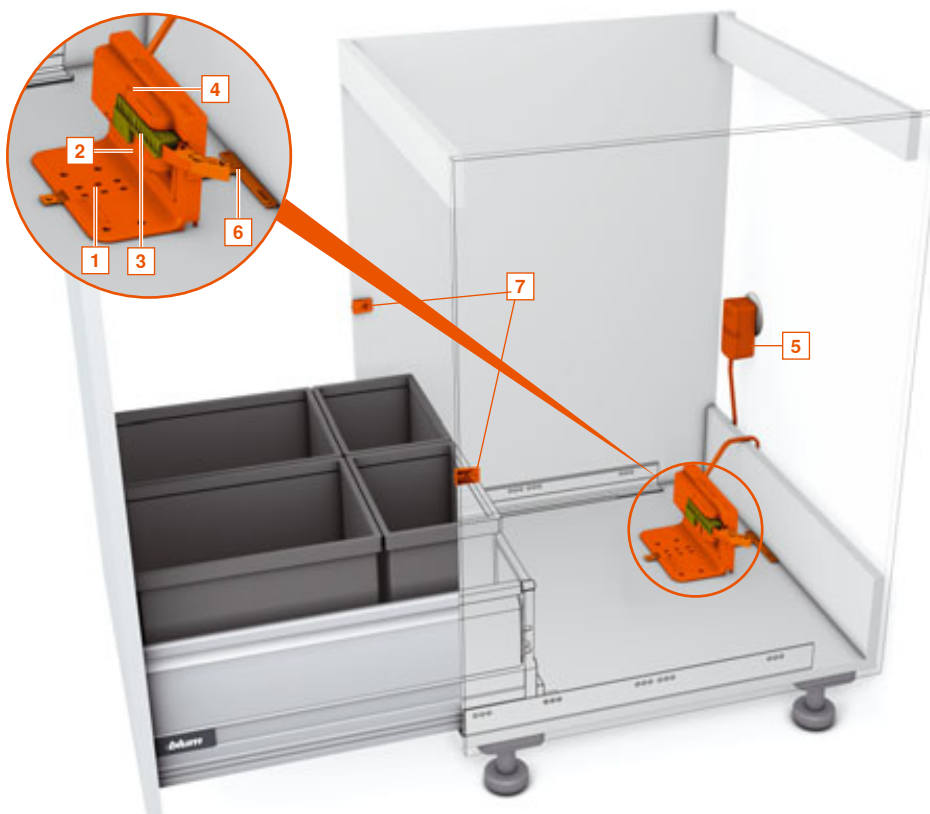


# Memo

Perfecting motion 



## SERVO-DRIVE uno for bottom mount waste bin solutions



### **i** Content

- 1** Attachment bracket
- 2** Drive unit
- 3** Transport protection
- 4** Protection against dripping water
- 5** Blum transformer incl. cable
- 6** Assembly device
- 7** Blum distance bumper

The ideal addition to the waste bin pull-out SERVO-DRIVE uno provides easy opening for bottom mount waste bin solutions. The pre-mounted individual set can be installed very easily with no additional measuring or drilling required. Also ideal for retrofitting.

Easy assembly

SERVO-DRIVE uno can be installed quickly and easily.



1. Install Blum spacing bumpers



2. Position assembly device on the cabinet base



3. Slide on SERVO-DRIVE unit



4. Insert and close pull-out



5. Screw on SERVO-DRIVE unit, remove transport protection



6. Connect SERVO-DRIVE uno to power outlet

Order specification

SERVO-DRIVE set pre-mounted					
	Network adapter (x)			Language package (y)	
	E	B	K	R	A DE, EN, FR, IT, NL
					B DA, EN, FI, NO, SV
					C EL, EN, HR, SL, SR, TR
					D EN, ES, FR, IT, PT
	N	U	A		E CS, HU, PL, SK
					F BG, ET, LT, LV, RO, RU
				G EN, ES, FR	
				H EN, ZH	
				Z10NA20xy01	