

2 SUPRA INDAMATIC

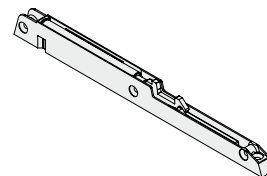
SUPRA INDAMATIC INDEPENDENT

INDAMATIC set for SUPRA drawers

White	RAL 9001	194.800.001	50
Grey	RAL 7040	194.800.314	



Fixing bracket



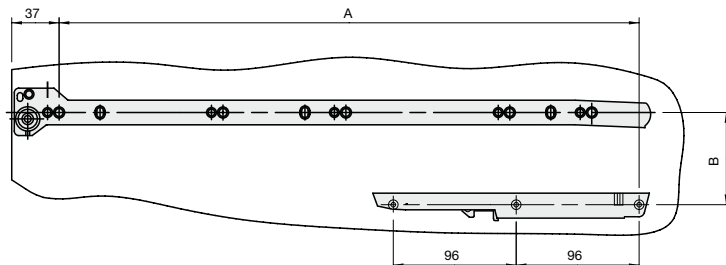
INDAMATIC closing system

Each reference consists of one soft-close device and one pin.

INDAMATIC INDEPENDENT assembly for SUPRA

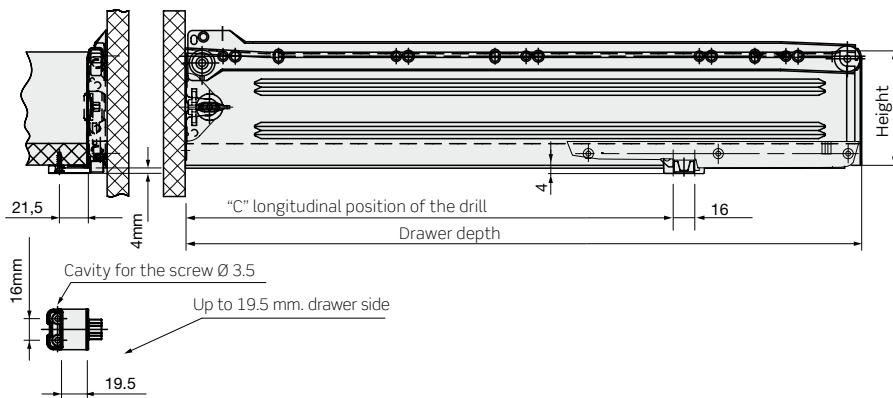


Fixing method to the side panel



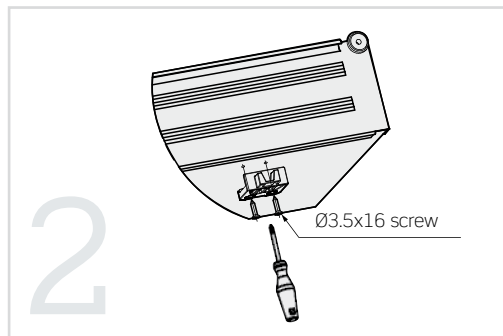
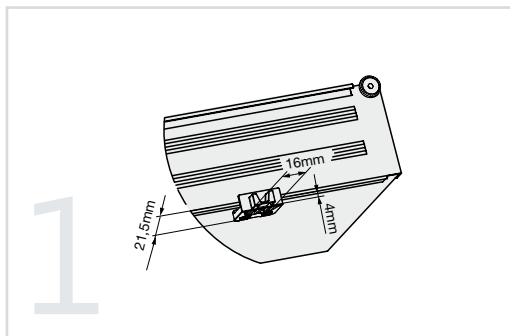
Drawer Length	A	C
270	223	130.5
350	303	210.5
400	353	260.5
450	403	310.5
500	453	360.5
550	503	410.5

Fixing method to the drawer



Drawer Height	B
54	40
86	72
118	104
150	136

Fixing bracket assembly



Mark the centres of the indicated measurements. It is recommended to mark and drill side holes with a Ø1.5 bit.

Support the fixing bracket and screw it on with the Ø3.5x16 screws.