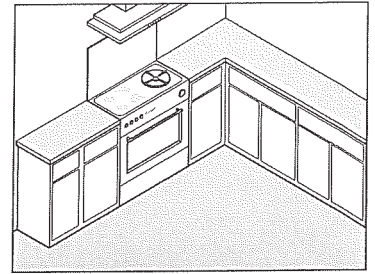
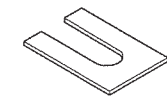
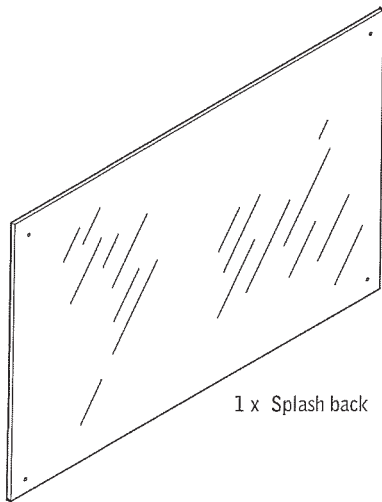


Assembly guide

SPLASH BACK



Component parts



2 x 3 mm Packing Shims
(Not Supplied)



4 x Wall plug 6 x 32 mm



4 x Chrome Cover cap



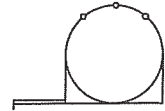
4 x Rubber Gromet



4 x 6 x 25 mm Mirror Screw

Tools required (Not Supplied)

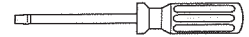
Tape measure



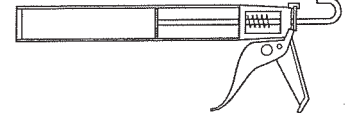
Pencil



Flat Head Screwdriver



Sealant Gun

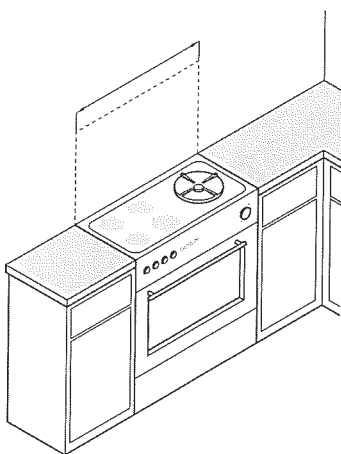


Silicone sealant

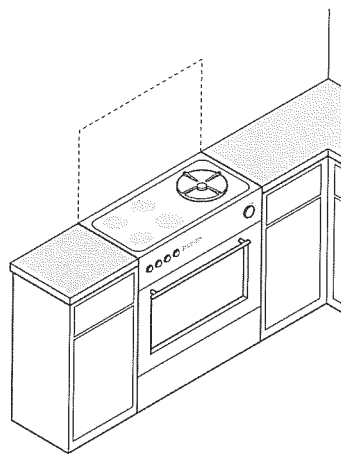


Before you start... Check the pack and make sure all the components are included – if not call the Helpline on 01788 548800 and our team will get things sorted. When you are ready to start make sure you have the right tools to hand. Don't rush, read the instructions first and run through the sequence before you begin.

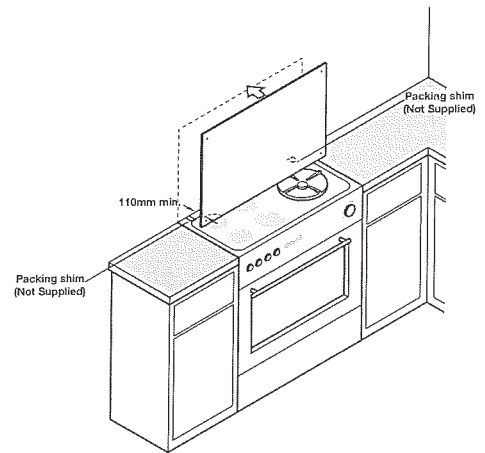
Cleaning - Use mild soap and water only. Do not use abrasive cleaners.



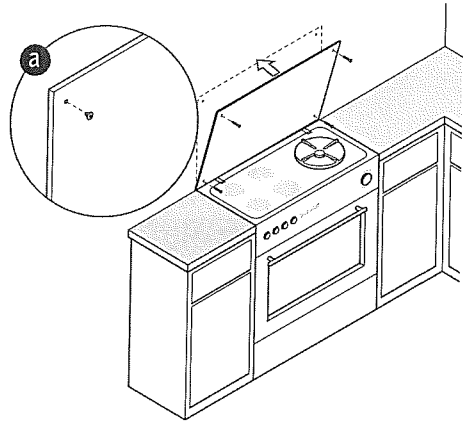
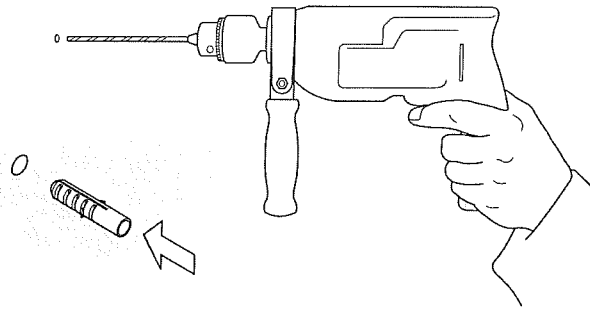
1 Firstly check the dimensions.



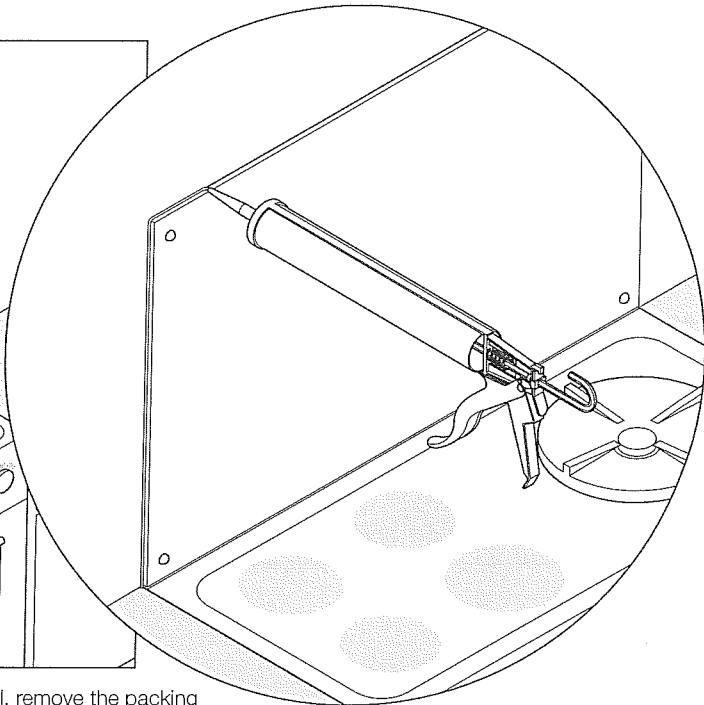
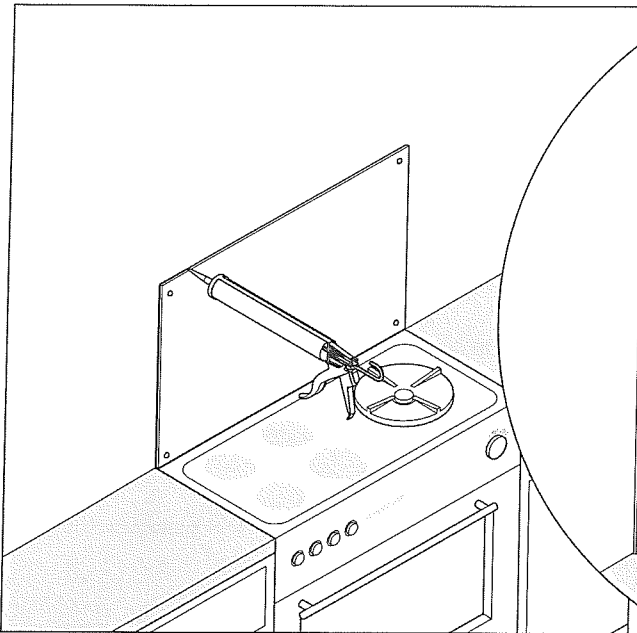
2 Ensure that the surface being fixed to is clean, flat, non porous, dry and dust free.



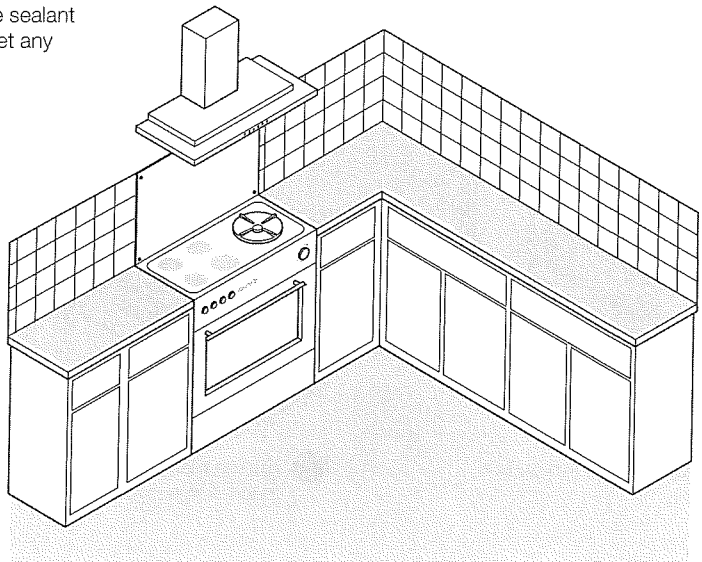
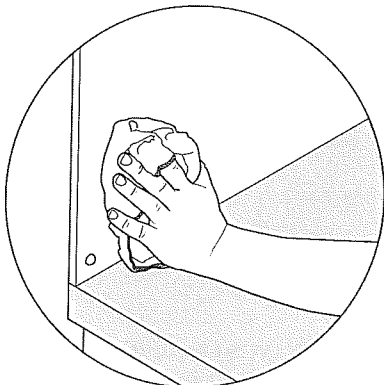
3 Firstly offer up the back of the splash back to the worktop/wall placing it onto the two 3 mm packing shims (not supplied) to check the fit. Then mark the 4 fixing holes with a pencil.



- 4** Drill holes approximately 35 mm deep into the wall using a 6 mm drill bit. Insert wall plugs and give a tap with a mallet or hammer if necessary. then clean the area thoroughly making sure to remove all dust and any pieces of plaster
- 5** Insert the rubber gromets into the fixing holes (a) in the splashback, then place the splashback onto the packing shims and offer up the splashback up to the wall and align with the pre drilled fixing holes then fix using the 6 x 25 mm mirror screws. Finally screw the domed screw caps into the heads of the mirror screws.



- 6** Once the splashback as been secured to the wall, remove the packing shims. Seal the edges of the splash back with a bead of silicone sealant no more than 2.5 mm in thickness, making sure not to get any sealant on the front or the back of the panel.



- 7** Once the sealant has cured clean the splashback with a soft damp cloth.