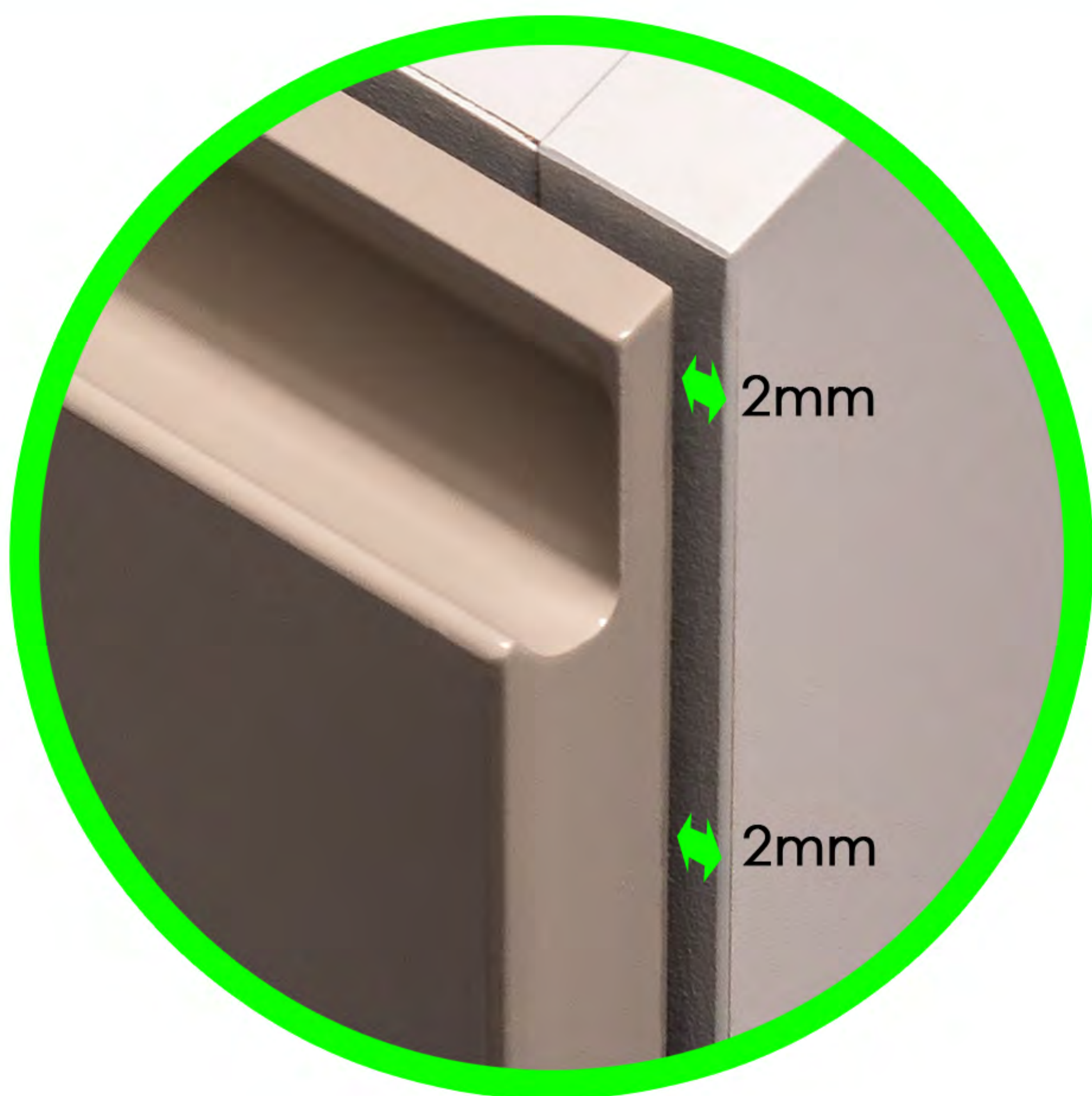
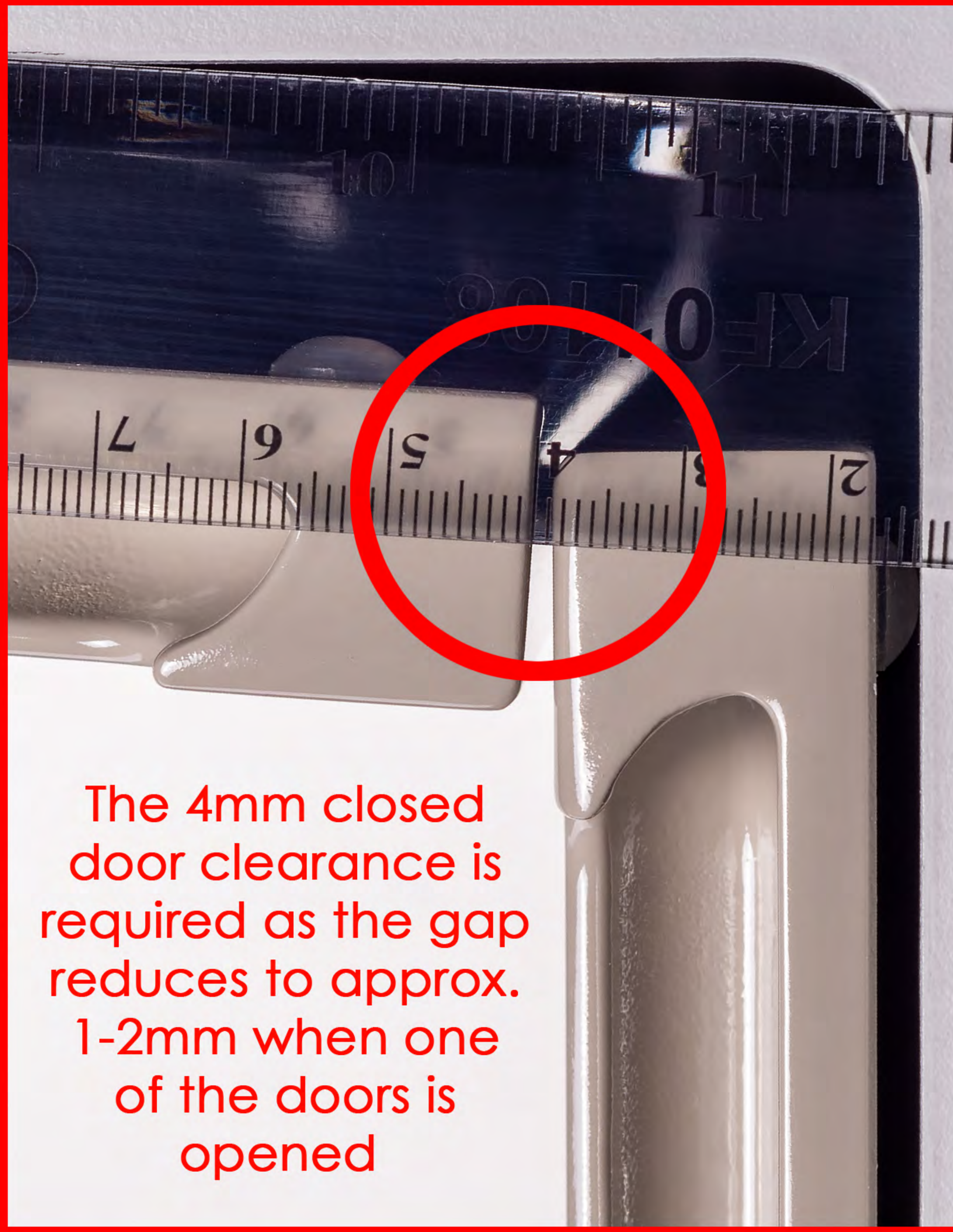
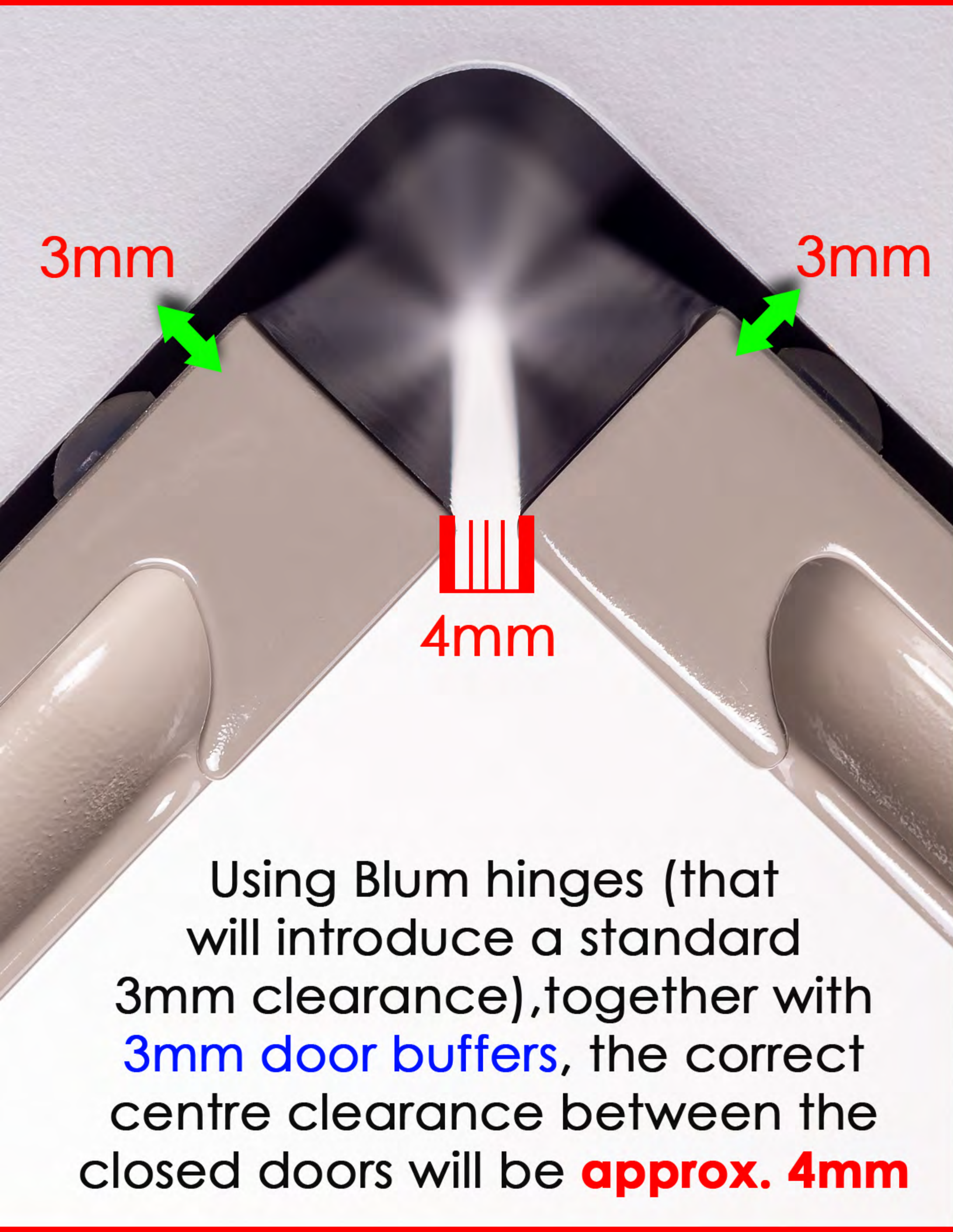
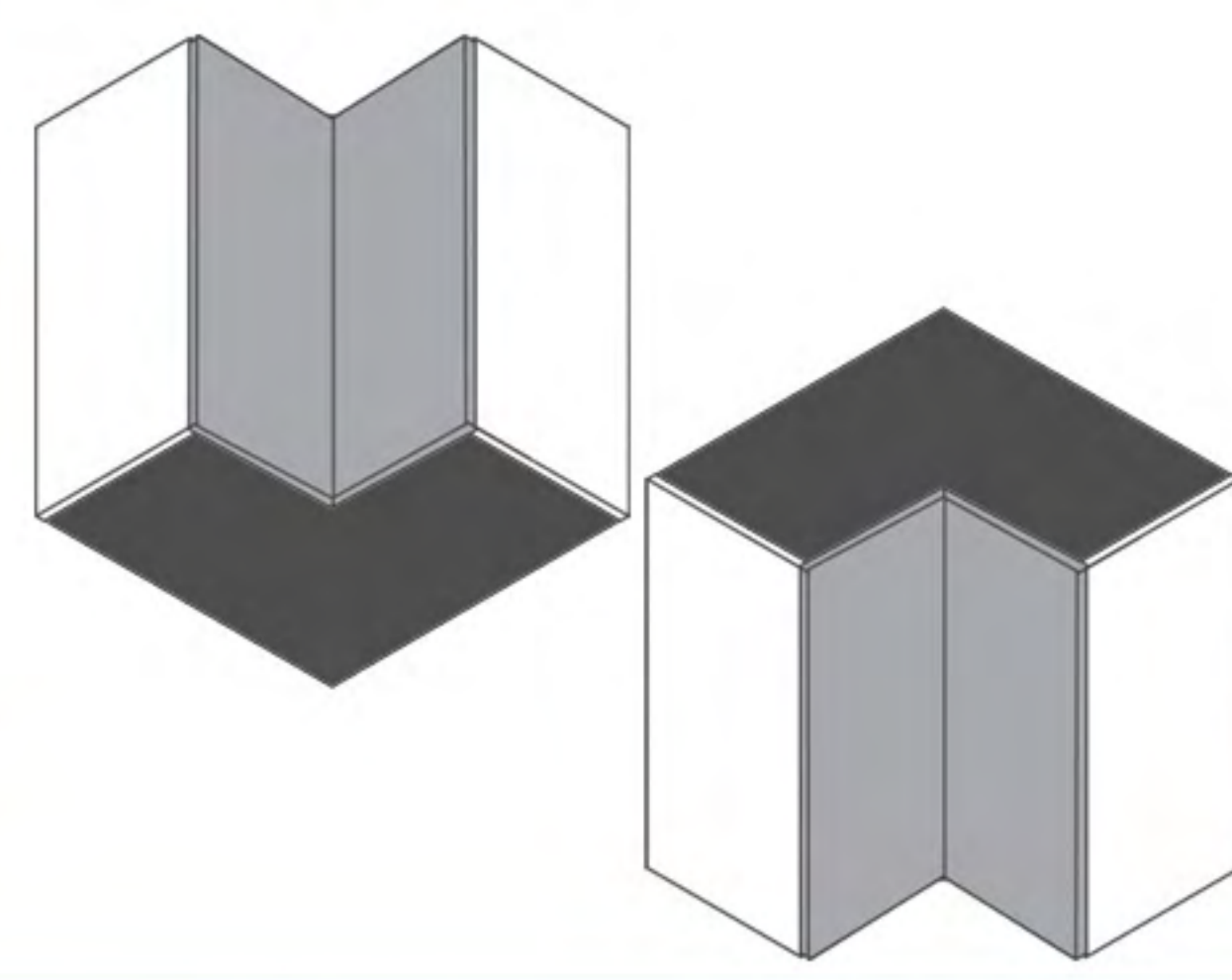


L Shape Cabinet Door Guidance



Doors should be set **2mm** in from the edge of the unit to introduce the necessary 4mm centre clearance

