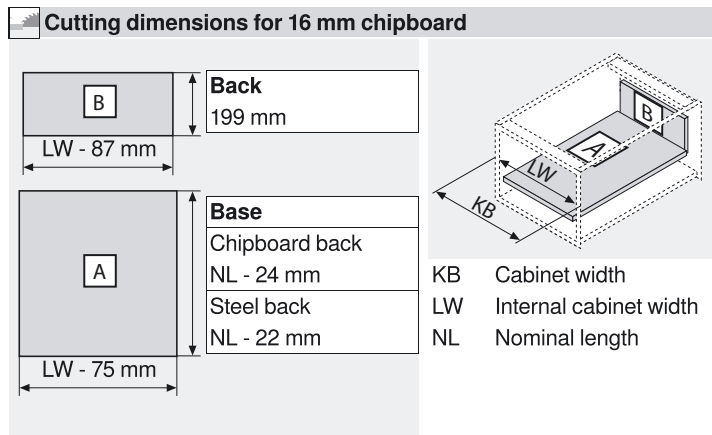


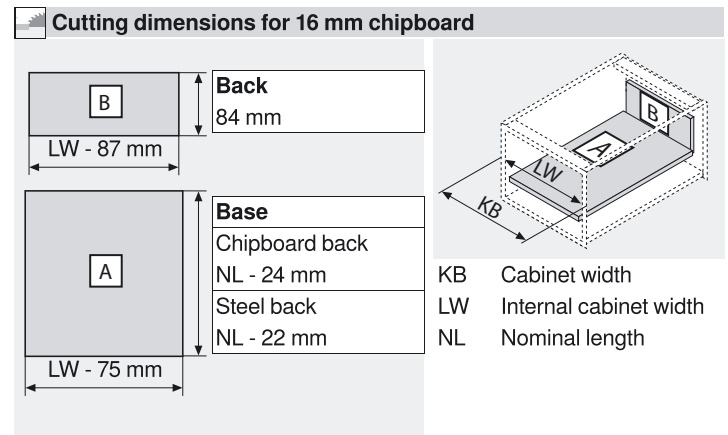
TANDEMBOX – pull-out system

► Basic elements

D-Height (Pan)



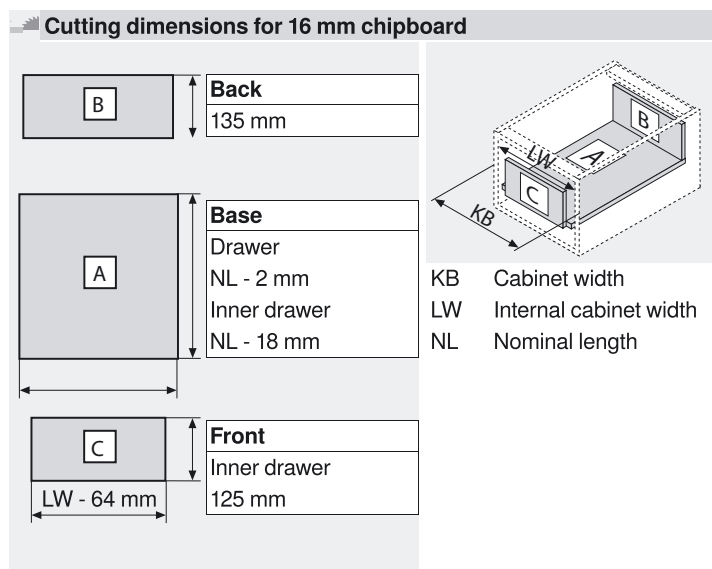
M-Height (Standard)



METABOX – pull-out system

► Basic elements

H-Height (Pan)



M-Height (Standard)

