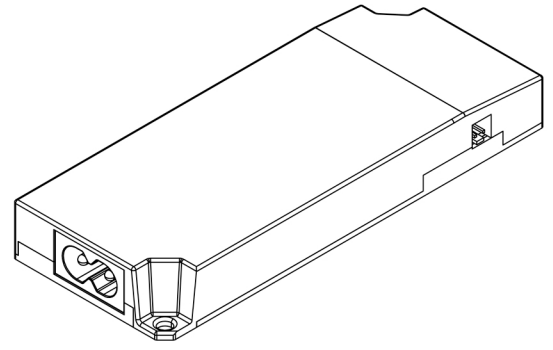


INSTALLATION
INSTRUCTIONS

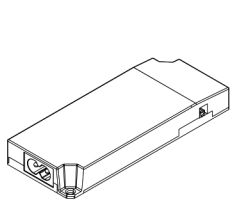
Product Code:
SE490950 (6W, 4 Ports)
SE491950 (15W, 6 Ports)
SE492950 (30W, 6 Ports)



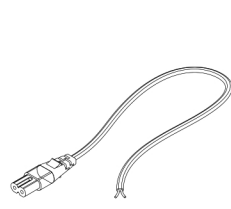
IMPORTANT: Please read these instructions before commencing installation and retain for future reference.

Components

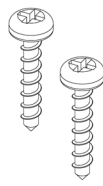
Tools Required



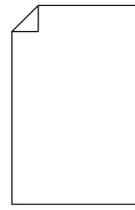
1 x Low-Profile Driver



1 x 2m Mains Cable



2 x Screws



1 x Instructions
Manual



Pencil



Screwdriver

Important Safety Information

Please read these instructions carefully before attempting to install this product. It is advisable to keep these instructions in a safe place for future reference.

We recommend that you consult a qualified electrician. All electrical installation must be carried out in accordance with current IEE wiring regulations (BS7671).

These products must not be modified, if any modification are made, it may invalidate the warranty and may render the product unsafe.

Do not wire the individual LED light fittings directly to the mains. This product is for indoor use only. Keep out of moisture and use only in dry rooms.

- If in doubt, installation must be carried out by a qualified electrician.
- Install on smooth flat surface(s) only.
- Do not exceed or stretch the cable length.
- This product is IP20 Rated.
- This product operates a 24V output.
- This product is designed to be connected to 220-240VAC input.

Safety Instructions

1. Before commencing installation or maintenance, isolate the main electrical supply for the appropriate circuit at the fuse board.
2. This product is only suitable for connecting to a 240V 50Hz supply.
3. The Driver should be mounted onto a secure surface.
4. Never exceed the total output of the LED driver.
5. Suitable for furniture lighting.
6. Class III safety extra low voltage (SELV).

Waste Electrical & Electronic Equipment (WEEE)

The symbol on the product, or on the document accompanying the product, the crossed out wheellie bin symbol, indicates that this product may not be treated as household waste. Instead it shall be handed over to the applicable collection point for the recycling of electrical and electronic waste.



RoHS
Compliant ✓



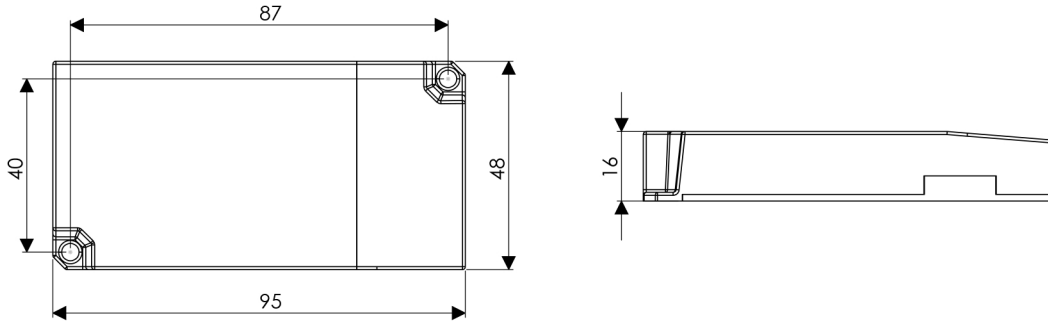
Sensio House, Unit 7, Speedwell Road, Whitwood, Castleford, West Yorkshire, WF10 5PY

www.sensio.co.uk

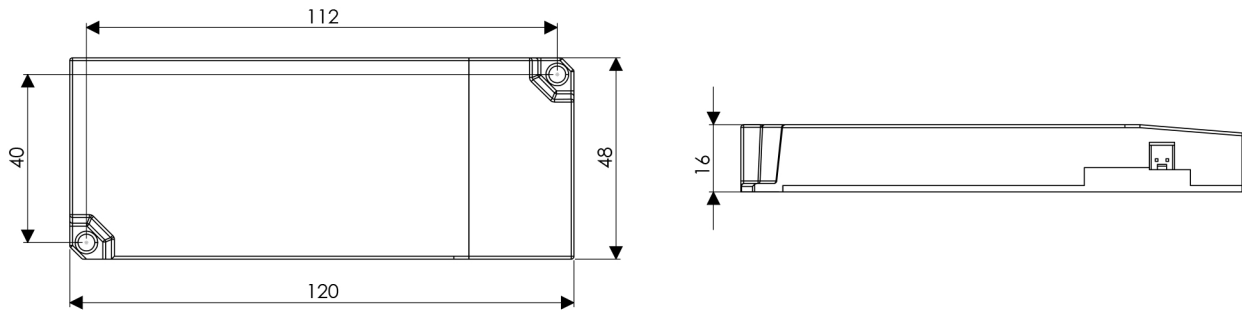
Technical drawings for illustration purposes only, Sensio has the right to change any information without prior notice.

Technical Drawing and Dimensions

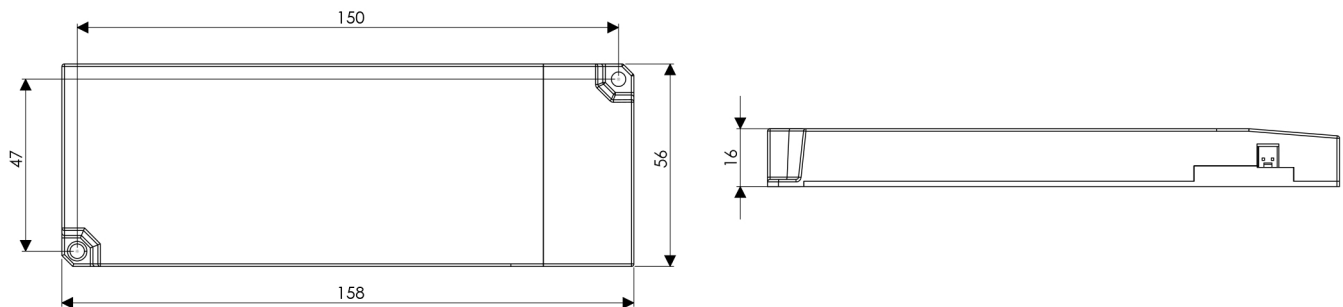
Titan - 6W Low-Profile Driver



Titan - 15W Low-Profile Driver

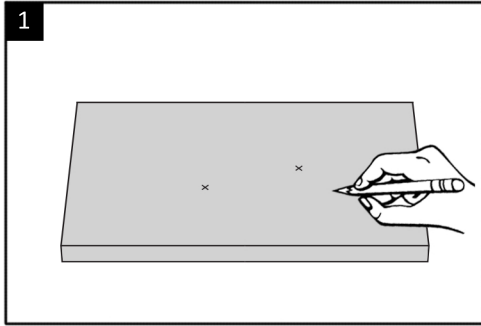


Titan - 30W Low-Profile Driver

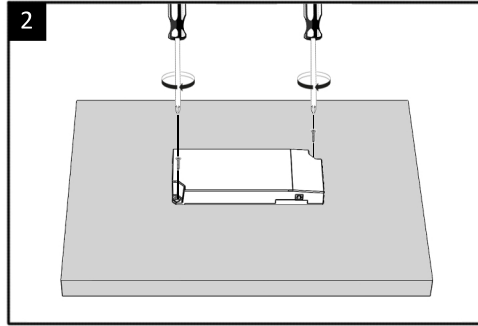


*Drawings not to scale

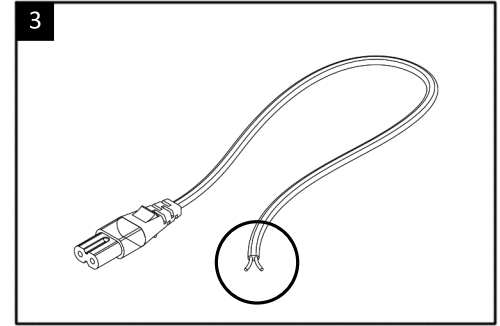
Installation



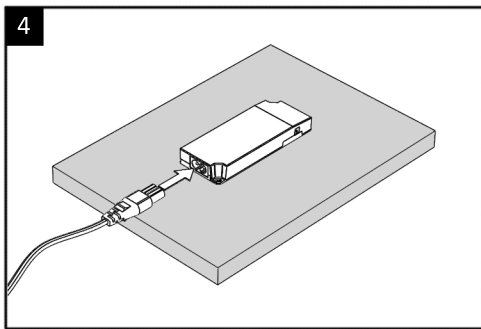
Mark the desired location for the driver.
Note: The product dimensions can be found on the previous page.



Screw the driver into position.



Connect the bare end of the 2M Mains Cable to the 240V supply.



Insert the mains cable in to the socket on the Low-Profile Driver.

Maintenance & Care

- Ensure that the power is disconnected prior to cleaning.
- To keep the finish of this product, wipe over with soft cloth periodically.
- Do not use harsh chemical solvents, this may dis-colour or damage the finish.
- Do not overtighten screws on the driver casing