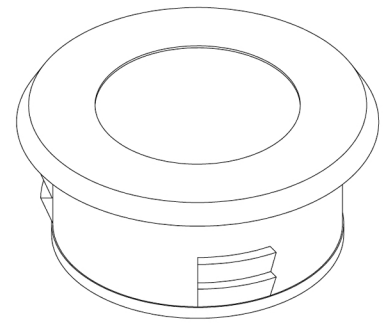


**HALO TRIOTONE™**  
Colour Temperature  
Switchable LED  
Plinth Light

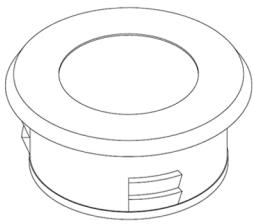


**INSTALLATION  
INSTRUCTIONS**

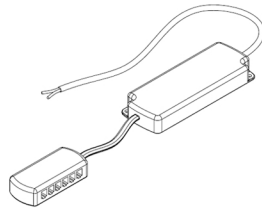
**IMPORTANT:** Please read these instructions before commencing installation and retain for future reference.

**Components**

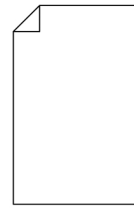
**Tools Required**



Halo Plinth Light/Lights



Driver and JB4 Distribution Block  
(SE150000 Does not include this component)



1 x Instructions  
Manual



Ø24 mm  
Drill Bit



1 x Pencil



Power Drill

**Important Safety Information**

Please read these instructions carefully before attempting to install this product. It is advisable to keep these instructions in a safe place for future reference.

These products must not be modified, if any modification are made, it may invalidate the warranty and may render the product unsafe. These LED lights operate low voltage (24V)

Do not wire the individual LED light fittings directly to the mains. This product is for indoor use only. Keep out of moisture and use only in dry rooms.

- Install on smooth flat surface(s) only.
- Do not exceed or stretch the cable length of each LED wire.
- This product is IP44 Rated.
- The wattage for each light is 0.5W. Make sure that the LED driver used with these fittings has an adequate max wattage.

**Safety Instructions**

1. Before commencing installation or maintenance, isolate the main electrical supply for the appropriate circuit at the fuse board.
2. The lights should be mounted onto a secure surface.
3. This product is only suitable for connecting to a Sensio 24V Driver.
4. Never exceed the total output of the LED driver.
5. Suitable for furniture lighting.
6. When the lamp expires the fitting must be replaced
7. Class III safety extra low voltage (SELV).

**Waste Electrical & Electronic Equipment (WEEE)**

The symbol on the product, or on the document accompanying the product, the crossed out wheellie bin symbol, indicates that this product may not be treated as household waste. Instead it shall be handed over to the applicable collection point for the recycling of electrical and electronic waste.



**RoHS**  
Compliant ✓

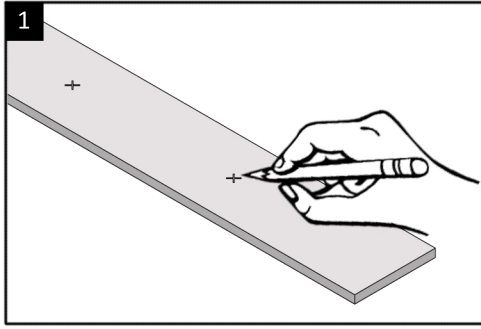


Sensio House, Unit 7, Speedwell Road, Whitwood, Castleford, West Yorkshire, WF10 5PY

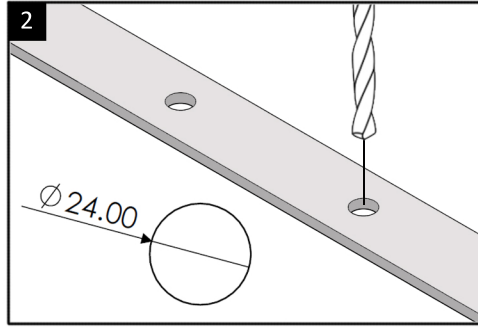
[www.sensio.co.uk](http://www.sensio.co.uk)

Technical drawings for illustration purposes only, Sensio has the right to change any information without prior notice.

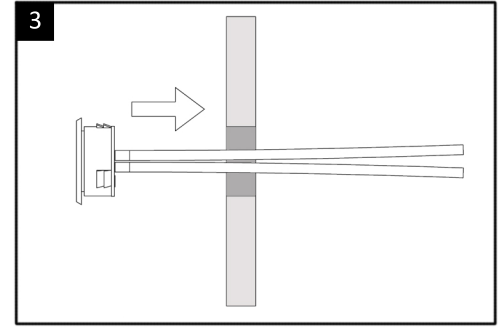
## Installation



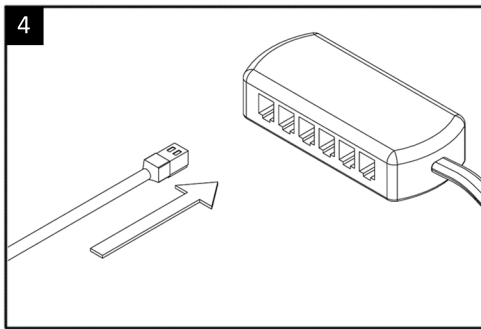
Carefully mark the desired locations for your plinth lights.



Proceed to drill the holes using a 24mm diameter drill bit.

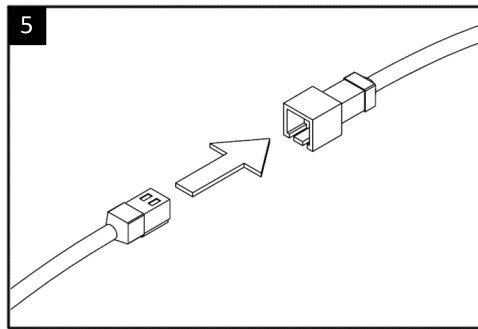


Thread the cables through the hole and insert the plinth lights into the hole.

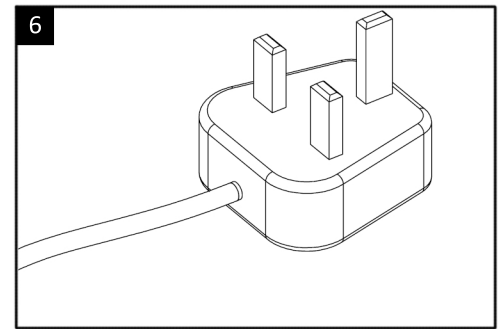


Connect the plinth light cable to the JB4 driver distribution block.

**Note:** This should be the first or last plinth light in a run, depending on the driver location.



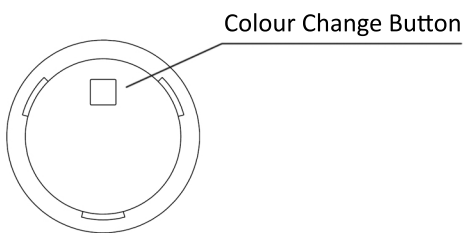
Proceed to connect each plinth light together by inserting the male JB4 connector into the female connector, in a daisy chain fashion.



Connect the driver to the mains supply, or attach a plug.

## Product Information

### TrioTone™ Function



Pressing the button on the underside of the plinth light will cycle through the different colour options. The colour options are:

- Warm White
- Natural White
- Cool White

### Product Codes:

- SE150000** - TrioTone™ Halo - Colour Switchable LED Plinth Light
- SE150004** - TrioTone™ Halo - Colour Switchable LED Plinth Light- 4 Pack
- SE150008** - TrioTone™ Halo - Colour Switchable LED Plinth Light- 8 Pack

### Essential Parts: (Only required if the Halo is not purchased in a 4 or 8 pack)

- **SE40553 6W** LED Driver with 4 Port JB4 Distributor
- **SE40555 15W** LED Driver with 6 Port JB4 Distributor
- **SE40556 30W** LED Driver with 12 Port JB4 Distributor
- **SE40557.1 60W** LED Driver with 12 Port JB4 Distributor

## Maintenance & Care

- Ensure that the power is disconnected prior to cleaning.
- To keep the finish of this product, wipe over with soft cloth periodically.
- Do not use harsh chemical solvents, this may dis-colour or damage the finish.