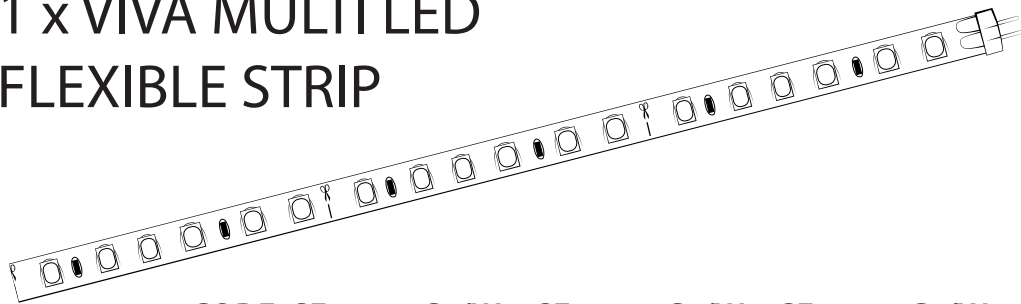


1 x VIVA MULTI LED FLEXIBLE STRIP

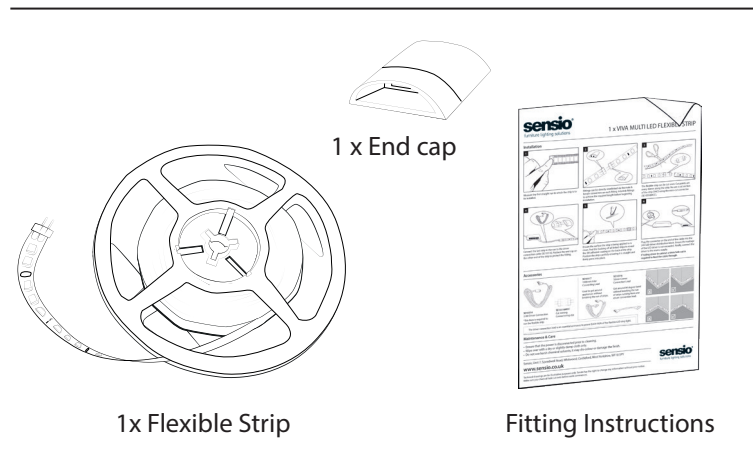
INSTALLATION INSTRUCTIONS



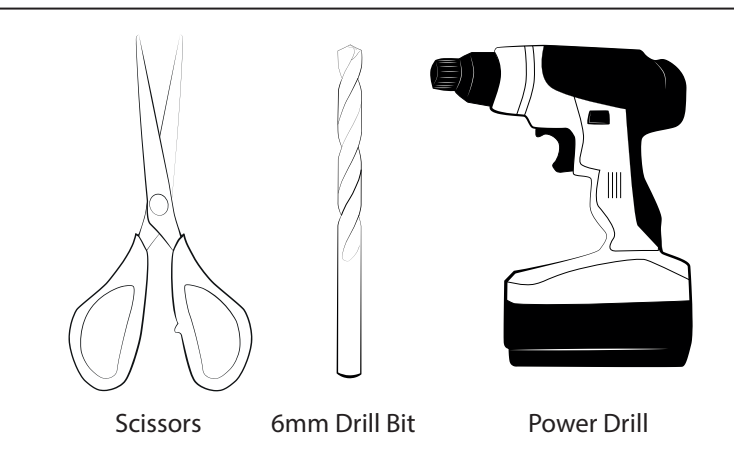
CODE: SE10615C0/W0, SE10625C0/W0, SE10645C0/W0

IMPORTANT: please read these instructions before commencing installation and retain for future reference.

Components



Tools Required



Important safety information

Please read these instructions carefully before attempting to install this product. It is advisable to keep these instructions in a safe place for further reference.

We recommend that you consult a qualified electrician.
All electrical installations must be carried out in accordance with current IEE wiring regulations (BS7671).

These products must not be modified, if any modifications are made it may invalidate the warranty and may render the product unsafe. These LED lights operate low voltage (24V).

- Do not wire the individual LED light fittings directly to the mains. This product is for indoor use only. The silicone coated part of the fitting is IP54 rated so is protected against dust and splashing water.
- Install on smooth flat surface(s) only
- Make sure that the appropriate LED driver is used with this flexible strip.
- The SE10314 driver connection lead is required to use this product.

Safety instructions

1. Before commencing installation or maintenance, isolate the main electrical supply for the appropriate circuit at the fuse board.
2. This product is only suitable for connecting to a 240V 50Hz supply with use of a 24V driver.
3. The light should be mounted onto a secure surface.
4. Never exceed the total output of the LED Driver you are using.
5. Suitable for furniture lighting.
6. When the lamp expires the fitting must be replaced.
7. Class III safety extra low voltage (SELV).

Waste Electrical & Electronic Equipment (WEEE)

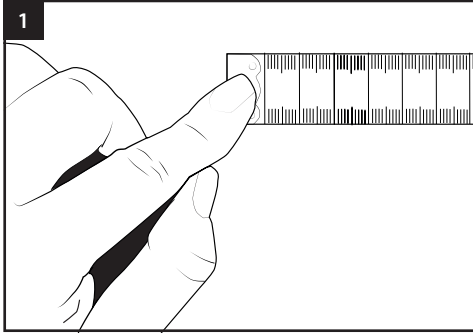
The symbol on the product, or on the document accompanying the product, the crossed out whee bin symbol, indicates that this product may not be treated as household waste. Instead it shall be handed over to the applicable collection point for the recycling of electrical and electronic waste.



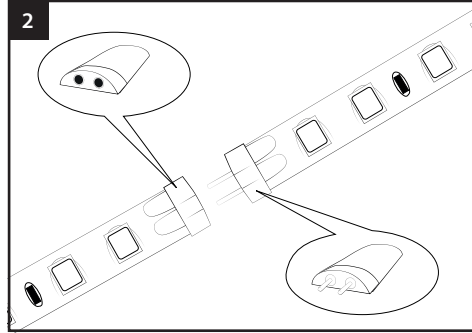
RoHS
Compliant ✓



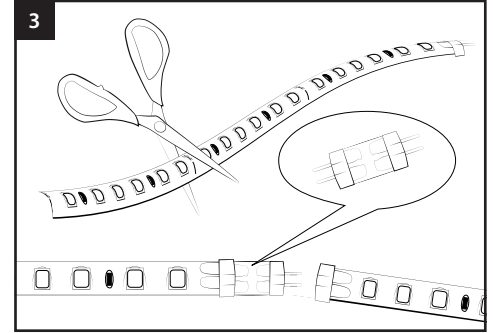
Installation



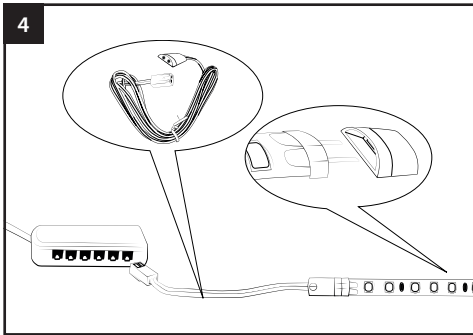
1 Measure the length of each area to which the strip is to be installed.



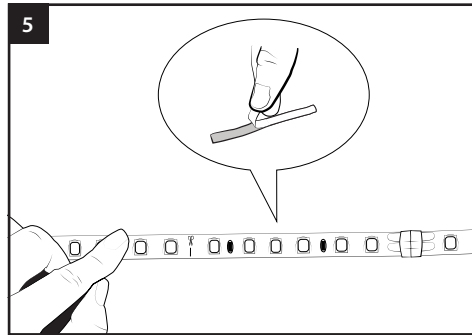
2 Fittings can be directly interlinked via the male & female connectors on each fitting. Interlink fittings to achieve the required length before beginning installation.



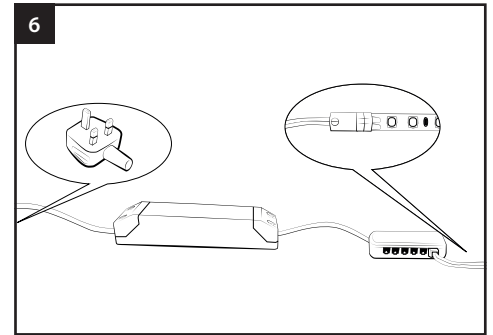
3 The flexible strip can be cut once. Cut points are every 50mm along the strip. Re-use a cut section of the strip ONCE using the mini-cut connector (SE10318MCC).



4 Connect the last strip in the run to the driver connection cable (SE10314). Replace the end cap on the other end of the strip to protect the fitting.



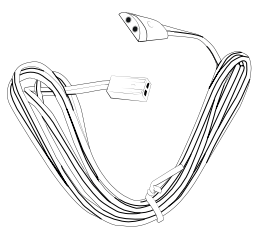
5 Ensure the surface to which the strip is being applied is clean. Remove the paper protecting the adhesive on the back of the strip. Position the strip carefully ensuring it is straight, and only when you are happy with the position firmly press into place. We suggest that the strip is not removed and re-applied.



6 Plug the connector on the end of the cable into the 24V LED driver distribution block. Ensure the wattage of the LED driver is not exceeded. Finally, connect the driver to the mains supply.

If hiding driver in cabinet a 6mm hole cut is required to feed the cable through.

Accessories



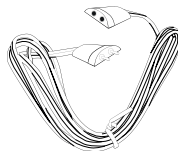
SE10314
2.5M Driver Connection
*This item is required to run the flexible strip



SE10318MCC
Cut Joining Connecting clip

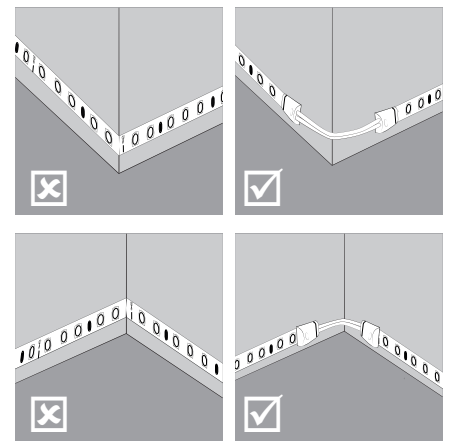
SE10317
1500mm Inter Connecting Lead

Used to get around appliances without breaking the run of strips.



SE10316
50mm Corner Connection Lead

Get around 90 degree bend without breaking the run of strips running from one driver connection lead.



The driver connection lead is an essential accessory to power EACH RUN of the flexible LED strip light.

Maintenance & Care

- Ensure that the power is disconnected prior to cleaning.
- Wipe over with a dry or slightly damp cloth only.
- Do not use harsh chemical solvents, it may dis-colour or damage the finish.

Sensio, Unit 7, Speedwell Road, Whitwood, Castleford, West Yorkshire, WF10 5PY

www.sensio.co.uk