

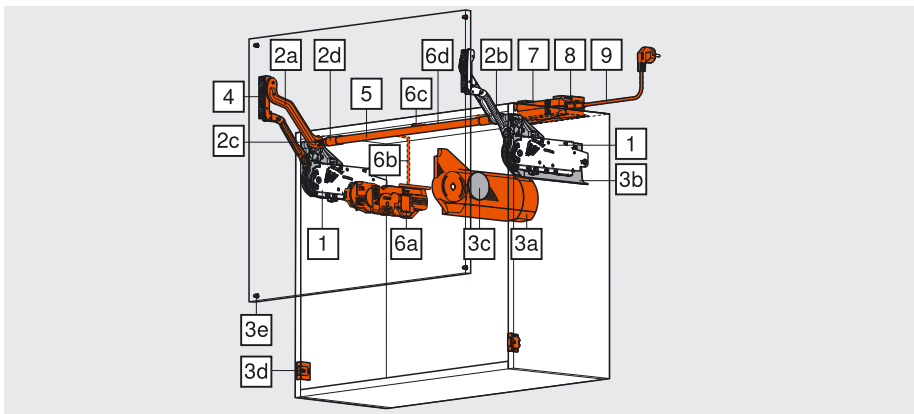


SERVO-DRIVE for AVENTOS HL

Technical data sheet

SERVO-DRIVE for AVENTOS HL

Order specification



5 types of lift mechanisms are enough to cover a wide range of applications.

The cabinet front and door weight is required in order to select the correct lift mechanism.

Standard
 SERVO-DRIVE

Cabinet height	Lever arm	Lift mechanism				
		20L2101.05	20L2301.05	20L2501.05	20L2701.05	20L2901.05
300–349 mm	21L3201 + 20L3201.05	1.25–4.25 kg	3.50–7.25 kg	6.50–12.00 kg	11.00–20.00 kg	
350–399 mm	21L3501 + 20L3501.05	1.25–2.50 kg	1.75–5.00 kg	4.25–9.00 kg	8.00–14.75 kg	13.50–20.00 kg
400–550 mm	21L3801 + 20L3801.05		1.75–3.50 kg	2.75–6.75 kg	5.75–11.75 kg	10.50–20.00 kg
450–580 mm	21L3901 + 20L3901.05			2.00–5.25 kg	4.25–9.25 kg	8.25–16.50 kg

A trial application is recommended when you are in a borderline area for the individual lift mechanism.

1	Symmetrical lift mechanism			
	with elongated hole	2 x		20L2101.05
		2 x		20L2301.05
		2 x		20L2501.05
		2 x		20L2701.05
		2 x		20L2901.05

3a	SERVO-DRIVE cover cap large left	
	Nylon light grey / silk white	
	Left	21L8001

2a	SERVO-DRIVE lever arm left			
	Nickel plated steel			
	Cabinet height 300-349 mm	Left	1x	21L3201
	Cabinet height 350-399 mm	Left	1x	21L3501
	Cabinet height 400-550 mm	Left	1x	21L3801
	Cabinet height 450-580 mm	Left	1x	21L3901

3b	Cover plate right	
	Nylon light grey / silk white	
	Right	20L8001

2b	Lever arm right			
	Nickel plated steel			
	Cabinet height 300-349 mm	Right	1x	20L3201.05
	Cabinet height 350-399 mm	Right	1x	20L3501.05
	Cabinet height 400-550 mm	Right	1x	20L3801.05
	Cabinet height 450-580 mm	Right	1x	20L3901.05

3c	Cover cap round		
	Nylon deep grey		
	Plain	2 x	20F9001
	Printed with the BLUM Logo	2 x	20F9001.BL
	customised printing available from 1000 MOQ		

2c	Oval stabiliser adapter			
	Steel	2 x		21Q0002A

2d	Cover cap for oval cross stabiliser			
	Nylon deep grey	2 x		20Q0003A


3d	SERVO-DRIVE switch	
	Nylon light grey / silk white	
		2 x

	Bit PZ cross slot		
	Size 2, length 39 mm		BIT-PZ KS2

SERVO-DRIVE for AVENTOS HL

Order specification




	Symmetrical front fixing brackets	
	Nickel plated	
	Wooden fronts and wide alu frames ¹⁾	20S4201
	Narrow alu frames	20S4201A

¹⁾ Use 4 chipboard screws (609.1x00) for wooden fronts.
Use 4 self tapping screws (608.085) for wide alu frames.

Oval cross stabiliser rod, pre-mounted			
	Cabinet width		
	600 mm	1 x	21Q407MA
	800 mm	1 x	21Q607MA
	900 mm	1 x	21Q707MA
	1000 mm	1 x	21Q807MA
	1200 mm	1 x	21Q1007MA

Alternative:

	5 Cross stabiliser rod oval		
	Alu		
	For cutting to size, 1061 mm	1 x	20Q1061UA

	Connecting piece for cross stabiliser		
	Alu, Ø 16 mm, Starting with cabinet width 1,219 mm		
	Connecting piece	1 x	21Q126Z.1
	Fixing	1 x	20Q0007
	Cover caps	2 x	20Q0008A
	Receptacle	2 x	21Q0002A

	6a SERVO-DRIVE drive unit		
	RAL 7037 dust grey		
	Pre-set HF		21FA001
	Pre-set HL		21LA001

6b, 6c, 6d, 7, 9, 8	Distribution cable, connecting node, cable end protector, Blum transformer, flex and transformer unit housing	
	See page	6

Instruction leaflet and installation instructions

Including documentation for the Machine Directive

MA-400	German	MA-021/01DE
MA-400	English	MA-021/01EN
MA-400	French	MA-021/01FR
MA-400	Italian	MA-021/01IT
MA-400	Spanish	MA-021/01ES
MA-400	Bulgarian	MA-021/01BG*
MA-400	Chinese	MA-021/01ZH*
MA-400	Danish	MA-021/01DA*
MA-400	Estonian	MA-021/01ET*
MA-400	Finnish	MA-021/01FI*
MA-400	Greek	MA-021/01EL*
MA-400	Japanese	MA-021/01JA*
MA-400	Croatian	MA-021/01HR*
MA-400	Latvian	MA-021/01LV*
MA-400	Lithuanian	MA-021/01LT*
MA-400	Dutch	MA-021/01NL*
MA-400	Norwegian	MA-021/01NO*
MA-400	Polish	MA-021/01PL*
MA-400	Portuguese	MA-021/01PT*
MA-400	Romanian	MA-021/01RO*
MA-400	Russian	MA-021/01RU*
MA-400	Swedish	MA-021/01SV*
MA-400	Serbian	MA-021/01SR*
MA-400	Slovakian	MA-021/01SK*
MA-400	Slovenian	MA-021/01SL*
MA-400	Czech	MA-021/01CS*
MA-400	Turkish	MA-021/01TR*
MA-400	Hungarian	MA-021/01HU*

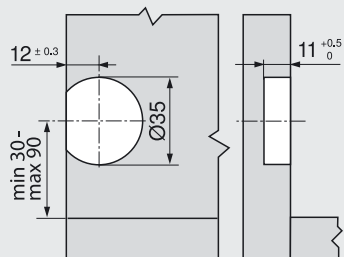
* Available starting 01/2010

SERVO-DRIVE for AVENTOS HL

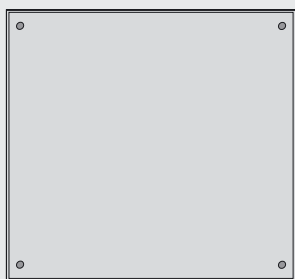
Planning



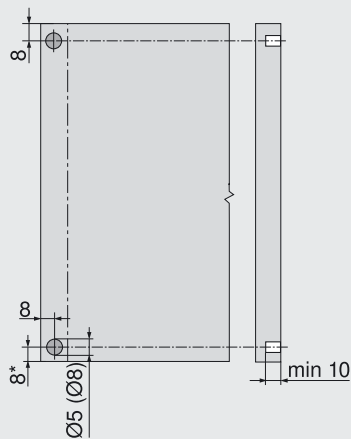
SERVO-DRIVE switch



Blum distance bumper



Blum distance bumper drilling position



* From cabinet front edge for fronts that protrude below

Recommendation for aluminium frames: Consider drilling for the Blum distance bumper in the cabinet side. A trial application must be carried out when fixing the Blum distance bumper to the front.

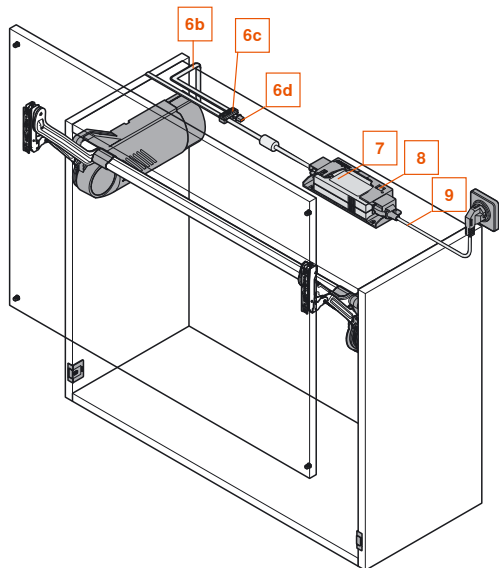
i Do not glue Blum distance bumper.

SERVO-DRIVE for AVENTOS HL

Order specification



Blum transformer (100 Watt) and accessories



6b	Distribution cable for cutting to size		
	1 x 100 m	Z10K1HMA	
	1/10 x 6 m	Z10K600A	
	1/10 x 8 m	Z10K800AE	
Can be used as a distribution cable			

6c	Connecting node		
	Black		
		Z10V1000	

6d	Cable end protector		
	RAL 7037 dust grey		
		Z10K0008	

7	Blum transformer		
	100 W	Z10NE050.01	
	Only 1 Blum transformer permitted per distribution cable		

8	Transformer unit housing for panel fixing		
	RAL 7037 dust grey		
		Z10NG100	

9	Flex		
	Flex Europe	Z10M200E	
	Flex CH	Z10M200C	
	Flex US, CA	Z10M200U	
	Flex JP	Z10M200J	
	Flex BR	Z10M200S	
	Flex BR	Z10M200S.01	
	Flex UK	Z10M200B	
	Flex DK	Z10M200D	
	Flex IL	Z10M200I	
	Flex AU	Z10M200K	
	Flex CN	Z10M200N	
	Flex AR	Z10M200A	
	Flex IN	Z10M200H	
	Flex CL	Z10M200L	
	Flex TW	Z10M200T	
	Flex ZA	Z10M200Z	
Flex Europe without plug	Z10M200E.OS		
Flex US, CA without plug	Z10M200U.OS		

	Cable holder		
	White		
		Z10K0009	