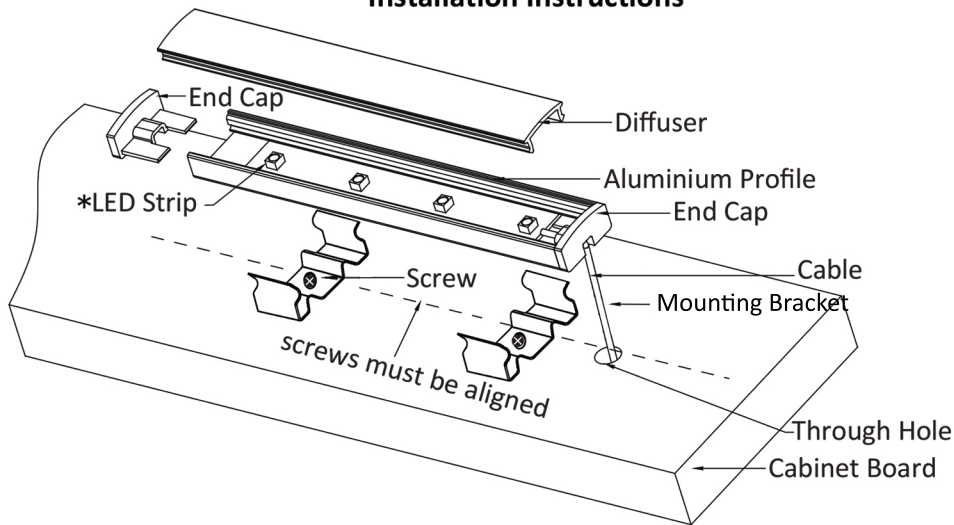


**SE981120/SE981220
Installation Instructions**



Components

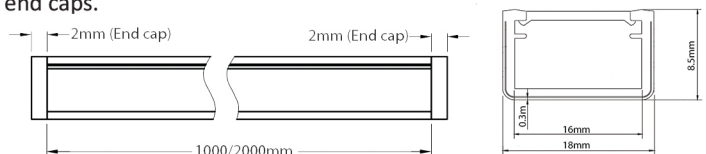
1 x Aluminium Profile, 1 x Diffuser, 2 x End Caps, 2 x metal Mounting Brackets with the 1m profile (4 x metal Mounting Brackets with the 2m Profile), 2 x screws with the 1m profile (4 x screws with the 2m profile), 1 x Instruction.

* Please purchase LED Flexible Strip Light(s), driver lead(s) and driver(s) separately.

IMPORTANT: Please read these instructions before commencing installation and retain for future reference

1. Secure Mounting Brackets to the suitable place where you want to install your lighting using the provided screws.
Pay attention: the screws must be kept in a line. The screw heads have to keep flat or a little lower than the inner plane of the Mounting Brackets.
2. Slide the plastic diffuser out of the profile.
3. installing flexible strip:
Press the empty Aluminium profile into the Mounting Brackets to confirm the position of a cable through hole, Keep the position of the hole as close to the end of the profile as possible. Remove the Aluminium and drill a suitable size hole through the cabinet.
4. Remove the protector cap on the flexible strip and connect the connection cable through the hole.
5. Remove the sticky backing on the flexible strip then stick the LED strip into the inner plane of the profile in the position required.
6. Place the plastic diffuser back in the profile.
7. Put end caps on both ends, feed connection wire through the hole of end caps.
8. Press the Aluminium profile into the fixed clips.
9. Wire/install the LED driver according to its installation instructions.
10. Connect to the driver.

Dimensions of the aluminium profile



Important Safety Information

Please read these instructions carefully before attempting to install this product. It is advisable to keep these instructions in a safe place for future reference.
We recommend that you consult a qualified electrician. All electrical installations must be carried out in accordance with current IEE wiring regulations (BS7671).
These products must not be modified, if any modifications are made, it may invalidate the warranty and may render the product unsafe.
Do not wire the individual LED lights directly to the mains. This product is for indoor use only. Keep out of moisture and use only in dry rooms.

- Installation must be carried out by a qualified electrician.

Safety Instructions

- Before commencing installation or maintenance, isolate the main electrical supply for the appropriate circuit at the fuse board.
- Position lights where they will not be exposed to steam or splashes etc...
- Suitable for Furniture lighting
- Class III safety extra low voltage (SELV)

